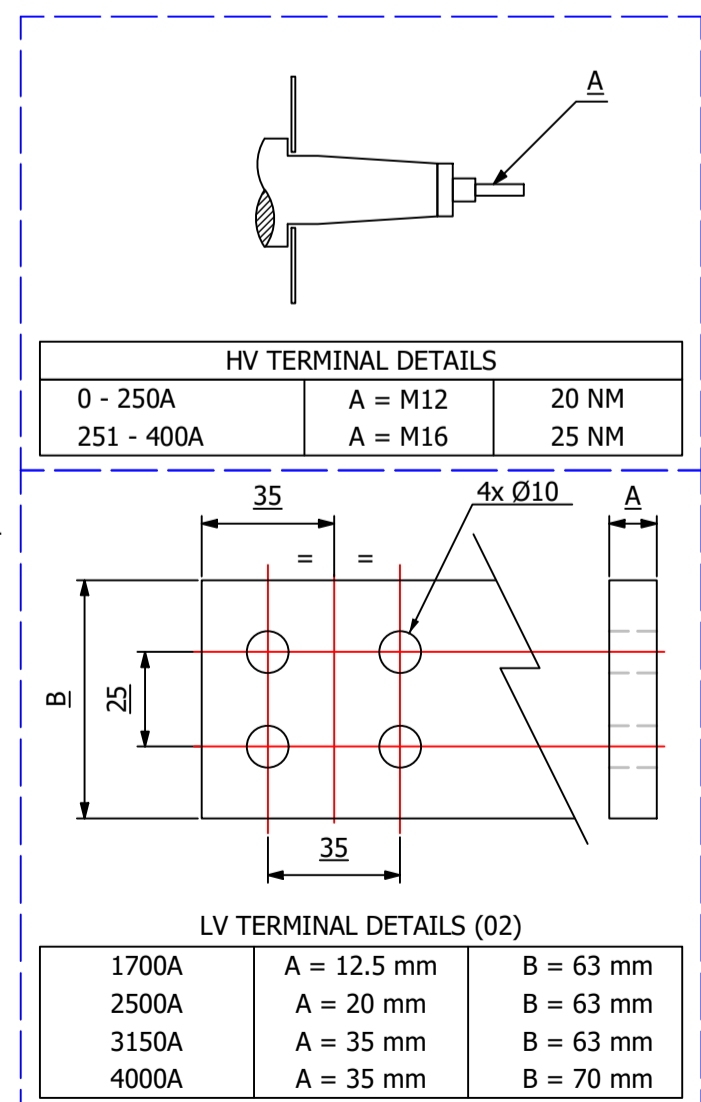


TRANSFORMER WEIGHT & VOLUME		
CORE AND WINDING	kg	2610
TANK AND FITTING	kg	1120
COOLING LIQUID VOLUME	L	945
COOLING LIQUID WEIGHT	kg	770
TOTAL TX WEIGHT	kg	4500

**ESSENTIAL LABELS**

- ITEM 7: OFF-CIRCUIT TAP CHANGER WARNING LABEL (NO OPEN TAP CHANGES)
- ITEM 4: C.O.L. 15°C COLD COOLANT LEVEL
- LV WARNING LABEL
- HV WARNING LABEL



1500kVA ELECTRICAL RATINGS					
No Load Voltage Ratio at Normal Tap	HV Tappings	Vector Group	Frequency	Full-Load Current at Normal Tap	
11000 / 433V	+5.0 to -5.0% in 2.5% INCREMENTS	Dyn11	50Hz	HV Side	LV Side
Design Impedance at Normal Tap	No Load Losses at rated Voltage & Frequency	Full Load Losses at rated Current & at 75°C Temp.	Temp. Rise above Ambient 40°C		
5.5%	1015W	11285W	60°C	in Oil by Therm. in Wdg. by Res.	
<b>GENERAL NOTES</b> 1 ALL DIMENSIONS ARE IN 'mm'. 2 ALL DIMENSIONS/WEIGHTS ARE SUBJECT TO ± 10% TOLERANCE. 3 ELECTRONIC SCALE - 1:1 (ONLY WRITTEN DIMENSIONS TO BE FOLLOWED). 4 TOLERANCE ON IMPEDANCE PER IEC:60076. 5 PAINT SHADE.: 632 As PER BS:381C (SEMI GLOSS) TO ISO12944 - MIN C4H SPEC.					

ITEM	QTY	DESCRIPTION
11	1	EARTHING STRIP ARRANGEMENT BETWEEN TANK AND TOP COVER
10	3	DETACHABLE RADIATORS with AIR-RELEASE & DRAIN PLUG (520W x 1200C x 75 x 40P)
9	4	JACKING PADS
8	1	OFF-CIRCUIT TAP SWITCH (5-Position & Padlockable)
7	1	OIL FILLING PIPE WITH FLANGED COVER
6	1	OIL LEVEL GAUGE (with 15°) COLD OIL LEVEL MARK
5	1	RATING & DIAGRAM PLATE (SS)
4	1	TOP COVER with LIFTING LUGS (x2)
3	4	TRANSFORMER LIFTING LUGS
2	1	EARTHING TERMINAL (FLAT TYPE suitable for M12 Bolt)
1	1	TRANSFORMER BASE (SKID TYPE) c/w HAULAGE HOLES

IF IN DOUBT - ASK. REMOVE ALL SHARP EDGES. DO NOT SCALE. DRAWING NOT TO SCALE.

MANUFACTURED BY: **TOSHIBA TRANSFORMER**  
TOSHIBA TRANSMISSION & DISTRIBUTION SYSTEMS (INDIA) PVT. LTD.

REV	REV BY	VERIFIED	APPROVED	DESCRIPTION

REVISION DESCRIPTION	REV	PROJECT
ORIGINAL	00	
REV. BY: J. NOVO	DATE: 14-OCT-2022	CUSTOMER:
VERIFIED:		S.O. NUMBER:
APPROVED:		P.O. NUMBER:
		W.O. NUMBER:

DRAWING TITLE
GENERAL ARRANGEMENT DRAWING FOR d2, 1500kVA 11000/433V, 50Hz, Dyn11, ONAN AL WOUND UNIT TYPE TRANSFORMER

SUPPLIED BY: **Wilson Power Solutions Ltd.**  
Westland Square, Leeds, West Yorkshire LS11 5SS, United Kingdom  
Tel: +44 (0) 113 271 7588 Fax: +44 (0) 113 277 5124  
web: www.wilsonpowersolutions.co.uk email: info@wilsonpowersolutions.co.uk

web: www.wilsonpowersolutions.co.uk email: info@wilsonpowersolutions.co.uk

DRAWN BY: J. NOVO DATE: 14/10/2022 DRG NO: WPS-d2-SSE-1500-AL-S001