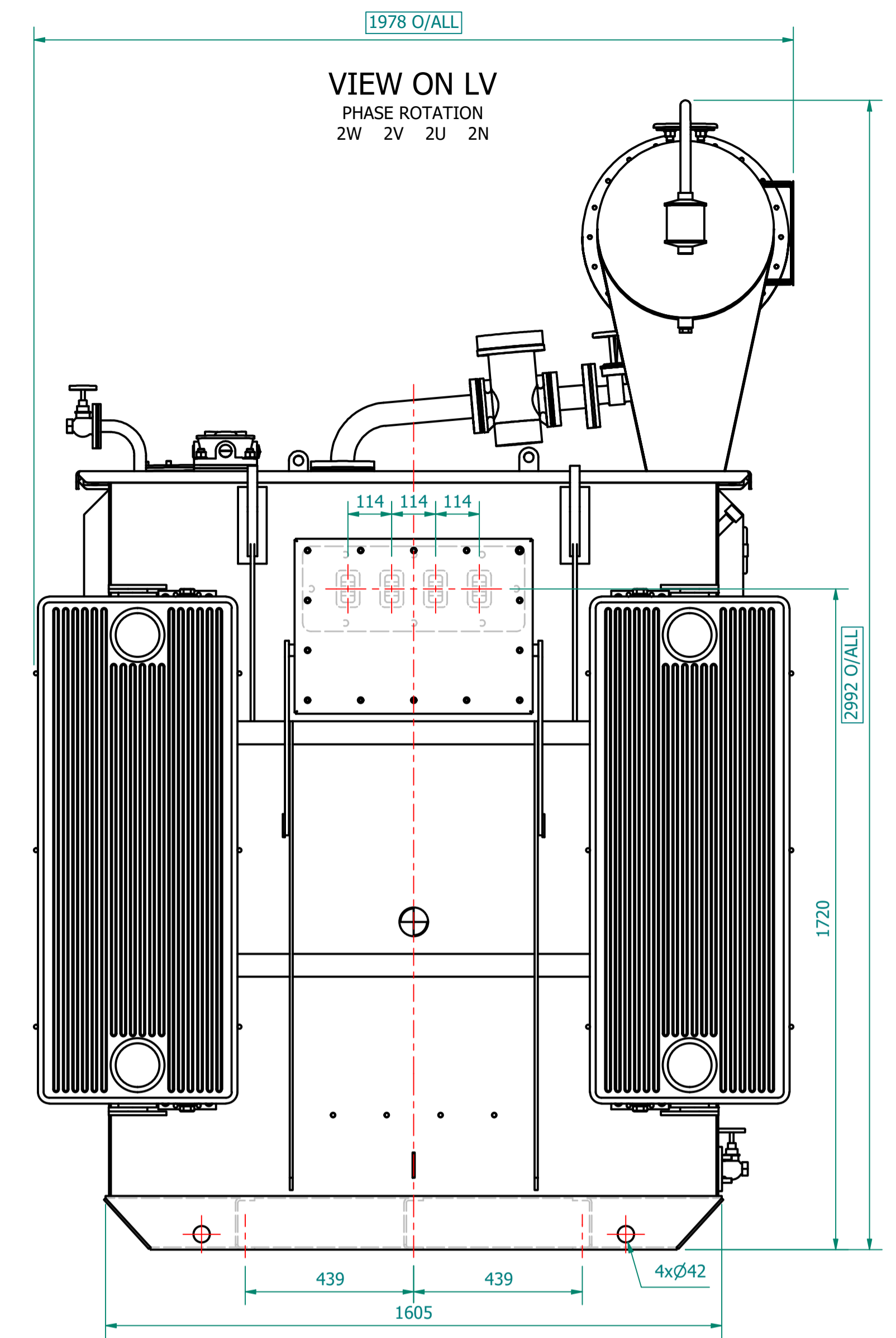
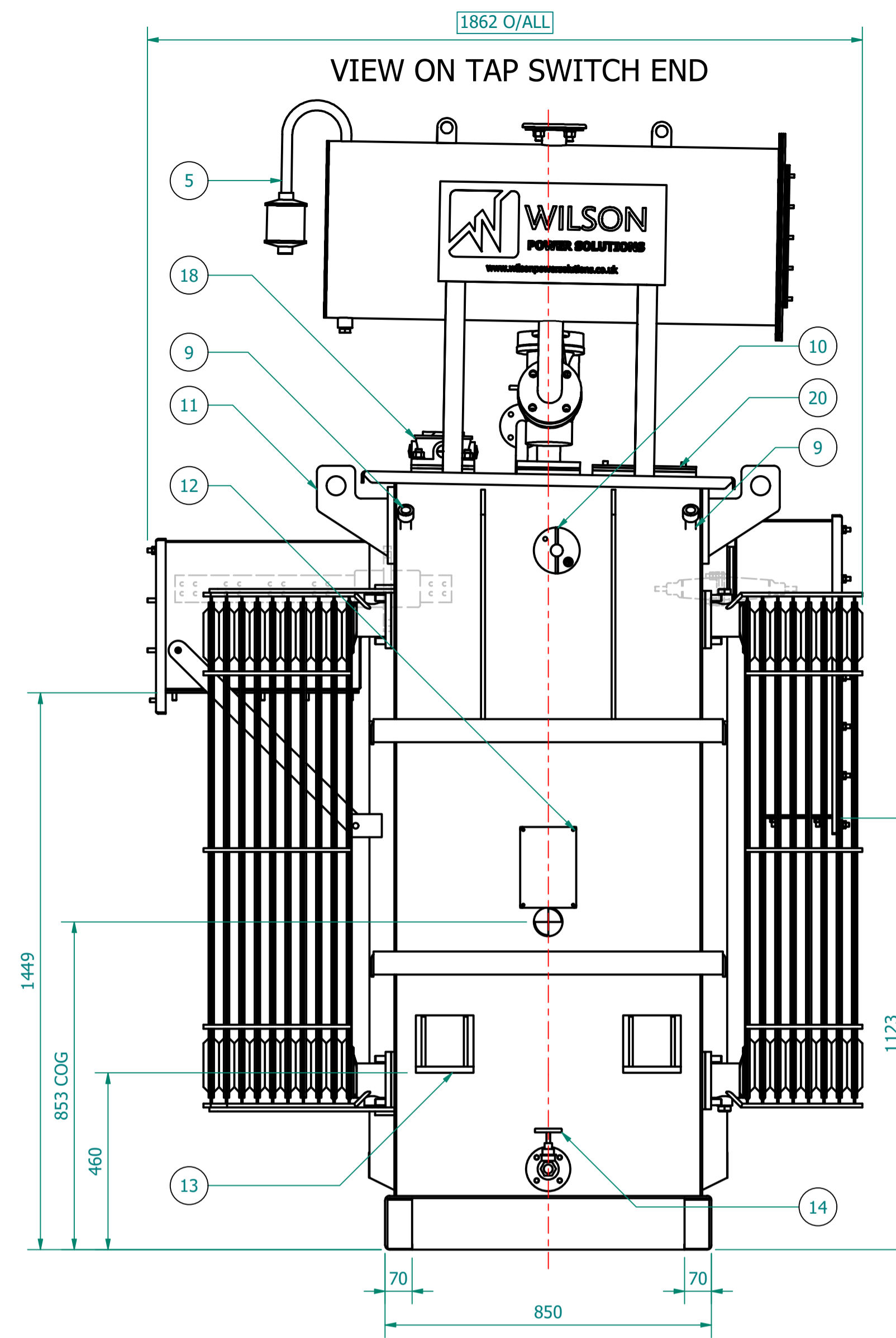
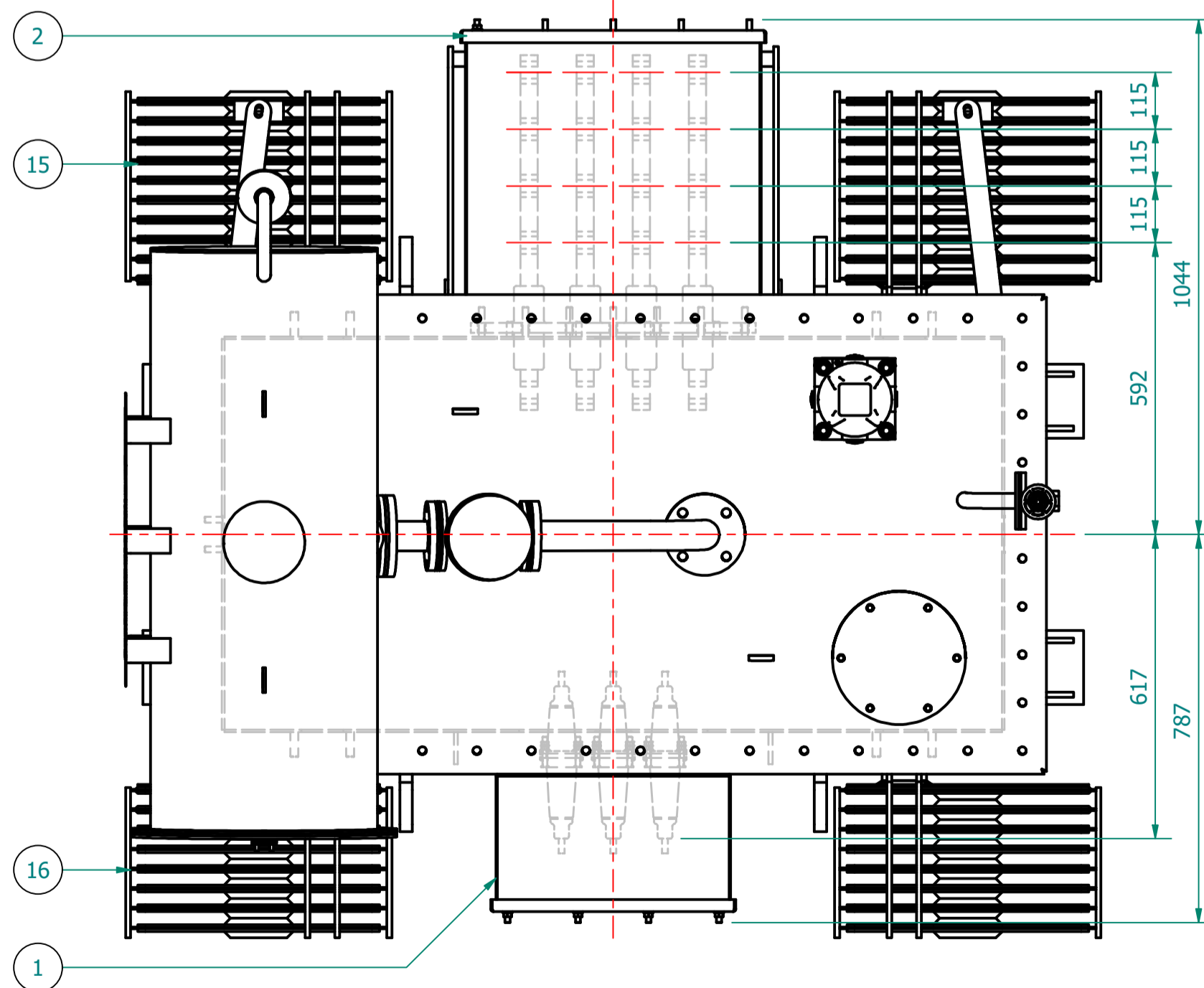


PLAN VIEW



WILSON  
T2 ECOTRANS

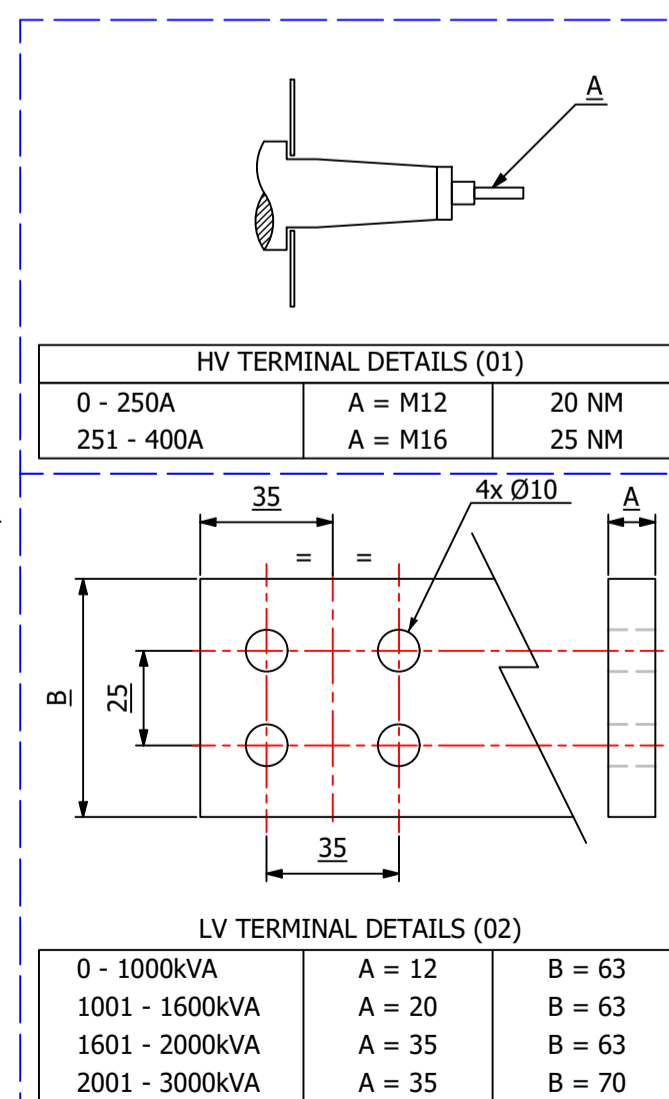
TRANSFORMER WEIGHT & VOLUME		
CORE AND WINDING	kg	3520
TANK AND FITTING	kg	1750
COOLING LIQUID VOLUME	L	1820
COOLING LIQUID WEIGHT	kg	1480
TOTAL TX WEIGHT	kg	6750

2500kVA ELECTRICAL RATINGS					
No Load Voltage Ratio at Normal Tap	HV Tappings	Vector Group	Frequency	Full-Load Current at Normal Tap	
11000 / 433V	+5.0 to -5.0% in 2.5% INCREMENTS	Dyn11	50Hz	HV Side	LV Side
Design Impedance at Normal Tap	No Load Losses at rated Voltage & Frequency	Full Load Losses at rated Current & at 75°C Temp.	Temp. Rise above Ambient 40°C		
6.0%	1575W	18500W	in Oil by Therm.	in Wdg. by Res.	
			60°C	65°C	

- GENERAL NOTES
- ALL DIMENSIONS ARE IN 'mm'.
  - ALL DIMENSIONS/WEIGHTS ARE SUBJECT TO ± 10% TOLERANCE.
  - ELECTRONIC SCALE - 1:1 (ONLY WRITTEN DIMENSIONS TO BE FOLLOWED).
  - TOLERANCE ON IMPEDANCE PER IEC:60076.
  - PAINT SHADE.: 632 AS PER BS:381C (SEMI GLOSS) TO ISO12944 - MIN C4 SPEC.

ESSENTIAL LABELS

- ITEM 10 OFF-CIRCUIT TAP CHANGERS TAP CHANGER WARNING LABEL
- ITEM 6 C.O.L. 15°C COLD COOLANT LEVEL
- ITEM 2 LV WARNING LABEL
- ITEM 1 HV WARNING LABEL



ITEM	QTY	DESCRIPTION
21	1	DETACHABLE CONSERVATOR
20	1	PROVISION FOR PRESSURE RELIEF DEVICE
19	1	OIL FILLING VALVE WITH ONE SIDE FLANGED & PLUG
18	1	WTI CT BUSHING TERMINALS ENCLOSED IN BOX
17	1	BUCHHOLZ RELAY EE2 (WITH ALARM & TRIP CONTACT)
16	2	DETACHABLE RADIATORS with AIR-RELEASE & DRAIN PLUG (520W x 1200C x 85 x 40P)
15	2	DETACHABLE RADIATORS with AIR-RELEASE & DRAIN PLUG (520W x 1200C x 105 x 40P)
14	1	DRAIN VALVE (25NB) with MALE PLUG
13	4	JACKING PADS
12	1	RATING & DIAGRAM PLATE (SS)
11	4	TRANSFORMER LIFTING LUGS
10	1	OFF-CIRCUIT TAP SWITCH (5-Position & Padlockable)
9	2	THERMOMETER POCKET (3/4" BSP MALE THREAD)
8	1	SHUT OFF VALVE FOR CONSERVATOR
7	1	TOP COVER with LIFTING LUGS (x2)
6	1	OIL LEVEL GAUGE with 15° COLD OIL LEVEL MARK
5	1	AIR VENT PIPE (3/4") FOR DEHYDRANT BREATHER
4	2	EARTHING TERMINAL (FLAT TYPE suitable for M12 Bolt)
3	1	TRANSFORMER BASE (SKID TYPE) c/w HAULAGE HOLES & BRACING
2	1	LV CABLE BOX - 1.1kV, 4-POLE, AIR INSULATION, (FACING-'F', BS:2562) SUITABLE FOR 4 x 1c CABLES PER PHASE & N - MAX. 630mm.sq
1	1	HV CABLE BOX - 12kV, 3-POLE, HEAT-SHRINK INSULATION, (FACING-'E' BS:2562) SUITABLE FOR 1 x 3c CABLE - MAX. 185mm.sq

IF IN DOUBT - ASK. REMOVE ALL SHARP EDGES. DO NOT SCALE. DRAWING NOT TO SCALE

REV	REV BY	VERIFIED	APPROVED	DESCRIPTION

REVISION DESCRIPTION	REV	PROJECT
ORIGINAL	00	CUSTOMER

DATE	P.O. NUMBER	W.O. NUMBER
22-AUG-2021		

DRAWING TITLE
GENERAL ARRANGEMENT DRAWING FOR 2500kVA WILSON T2 ECOTRANS 11000/433V, 50Hz, Dyn11, ONAN/KNAN AL WOUND DISTRIBUTION TRANSFORMER

Wilson Power Solutions Ltd.  
Westland Square, Leeds,  
West Yorkshire LS11 5SS, United Kingdom  
Tel: +44 (0) 113 271 7588  
Fax: +44 (0) 113 277 5124  
web: www.wilsonpowersolutions.co.uk email: info@wilsonpowersolutions.co.uk

WILSON POWER SOLUTIONS

web: www.wilsonpowersolutions.co.uk email: info@wilsonpowersolutions.co.uk

DRAWN BY: M. STOTSJUK DATE: 22/08/2021 DRG NO: WPS-T2-2500-AL-GA