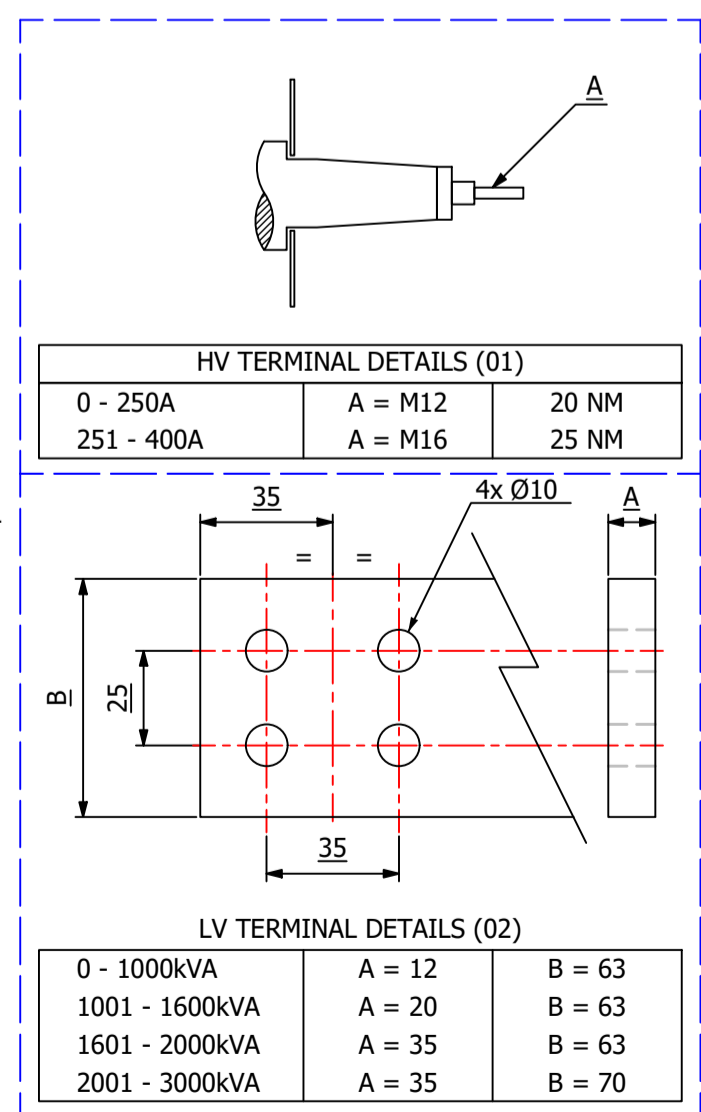


WILSON
T2 ECOTRANS

TRANSFORMER WEIGHT & VOLUME		
CORE AND WINDING	kg	4040
TANK AND FITTING	kg	1900
COOLING LIQUID VOLUME	L	1790
COOLING LIQUID WEIGHT	kg	1460
TOTAL TX WEIGHT	kg	7400

- ESSENTIAL LABELS**
- ITEM 10 TAP CHANGER WARNING LABEL
 - ITEM 6 COLD COOLANT LEVEL
 - ITEM 2 LV WARNING LABEL
 - ITEM 1 HV WARNING LABEL



3000kVA ELECTRICAL RATINGS					
No Load Voltage Ratio at Normal Tap	HV Tappings	Vector Group	Frequency	Full-Load Current at Normal Tap	
11000 / 433V	+5.0 to -5.0% in 2.5% INCREMENTS	Dyn11	50Hz	HV Side	LV Side
Design Impedance at Normal Tap	No Load Losses at rated Voltage & Frequency	Full Load Losses at rated Current & at 75°C Temp.	Temp. Rise above Ambient 40°C		
6.0%	1886W	21961W	60°C	65°C	

- GENERAL NOTES**
- ALL DIMENSIONS ARE IN 'mm'.
 - ALL DIMENSIONS/WEIGHTS ARE SUBJECT TO ± 10% TOLERANCE.
 - ELECTRONIC SCALE - 1:1 (ONLY WRITTEN DIMENSIONS TO BE FOLLOWED).
 - TOLERANCE ON IMPEDANCE PER IEC:60076.
 - PAINT SHADE.: 632 AS PER BS:381C (SEMI GLOSS) TO ISO12944 - MIN C4 SPEC.

ITEM	QTY	DESCRIPTION
21	1	DETACHABLE CONSERVATOR
20	1	PROVISION FOR PRESSURE RELIEF DEVICE
19	1	OIL FILLING VALVE WITH ONE SIDE FLANGED & PLUG
18	1	WTI CT BUSHING TERMINALS ENCLOSED IN BOX
17	1	BUCHHOLZ RELAY EE2 (WITH ALARM & TRIP CONTACT)
16	2	DETACHABLE RADIATORS with AIR-RELEASE & DRAIN PLUG (520W x 1200C x 14S x 40P)
15	2	DETACHABLE RADIATORS with AIR-RELEASE & DRAIN PLUG (520W x 1200C x 10S x 40P)
14	1	DRAIN VALVE (25NB) with MALE PLUG
13	4	JACKING PADS
12	1	RATING & DIAGRAM PLATE (SS)
11	4	TRANSFORMER LIFTING LUGS
10	1	VOLTAGE CHANGE OVER SWITCH
9	2	THERMOMETER POCKET (3/4" BSP MALE THREAD)
8	1	SHUT OFF VALVE FOR CONSERVATOR
7	1	TOP COVER with LIFTING LUGS (x2)
6	1	OIL LEVEL GAUGE with 15° COLD OIL LEVEL MARK
5	1	AIR VENT PIPE (3/4") FOR DEHYDRANT BREATHER
4	2	EARTHING TERMINAL (FLAT TYPE suitable for M12 Bolt)
3	1	TRANSFORMER BASE (SKID TYPE) c/w HAULAGE HOLES & BRACING
2	1	LV CABLE BOX - 1.1kV, 4-POLE, AIR INSULATION, (FACING-'F', BS:2562) SUITABLE FOR 4 x 1c CABLES PER PHASE & N - MAX. 630mm.sq
1	1	HV CABLE BOX - 12kV, 3-POLE, HEAT-SHRINK INSULATION, (FACING-'E' BS:2562) SUITABLE FOR 1 x 3c CABLE - MAX. 185mm.sq

IF IN DOUBT - ASK. REMOVE ALL SHARP EDGES. DO NOT SCALE. DRAWING NOT TO SCALE

REV	REV BY	VERIFIED	APPROVED	DESCRIPTION

REVISION DESCRIPTION	REV	PROJECT
ORIGINAL	00	CUSTOMER

REV	DATE	P.O. NUMBER	W.O. NUMBER
	22-AUG-2021		

DRAWING TITLE	
GENERAL ARRANGEMENT DRAWING FOR 3000kVA WILSON T2 ECOTRANS 11000/433V, 50Hz, Dyn11, ONAN/KNAN AL WOUND DISTRIBUTION TRANSFORMER	

Wilson Power Solutions Ltd.
Westland Square, Leeds,
West Yorkshire LS11 5SS, United Kingdom
Tel: +44 (0) 113 271 7588
Fax: +44 (0) 113 277 5124
web: www.wilsonpowersolutions.co.uk email: info@wilsonpowersolutions.co.uk

web: www.wilsonpowersolutions.co.uk email: info@wilsonpowersolutions.co.uk

DRAWN BY: M. STOTSJK DATE: 22/08/2021 DRG NO: WPS-T2-3000-AL-GA