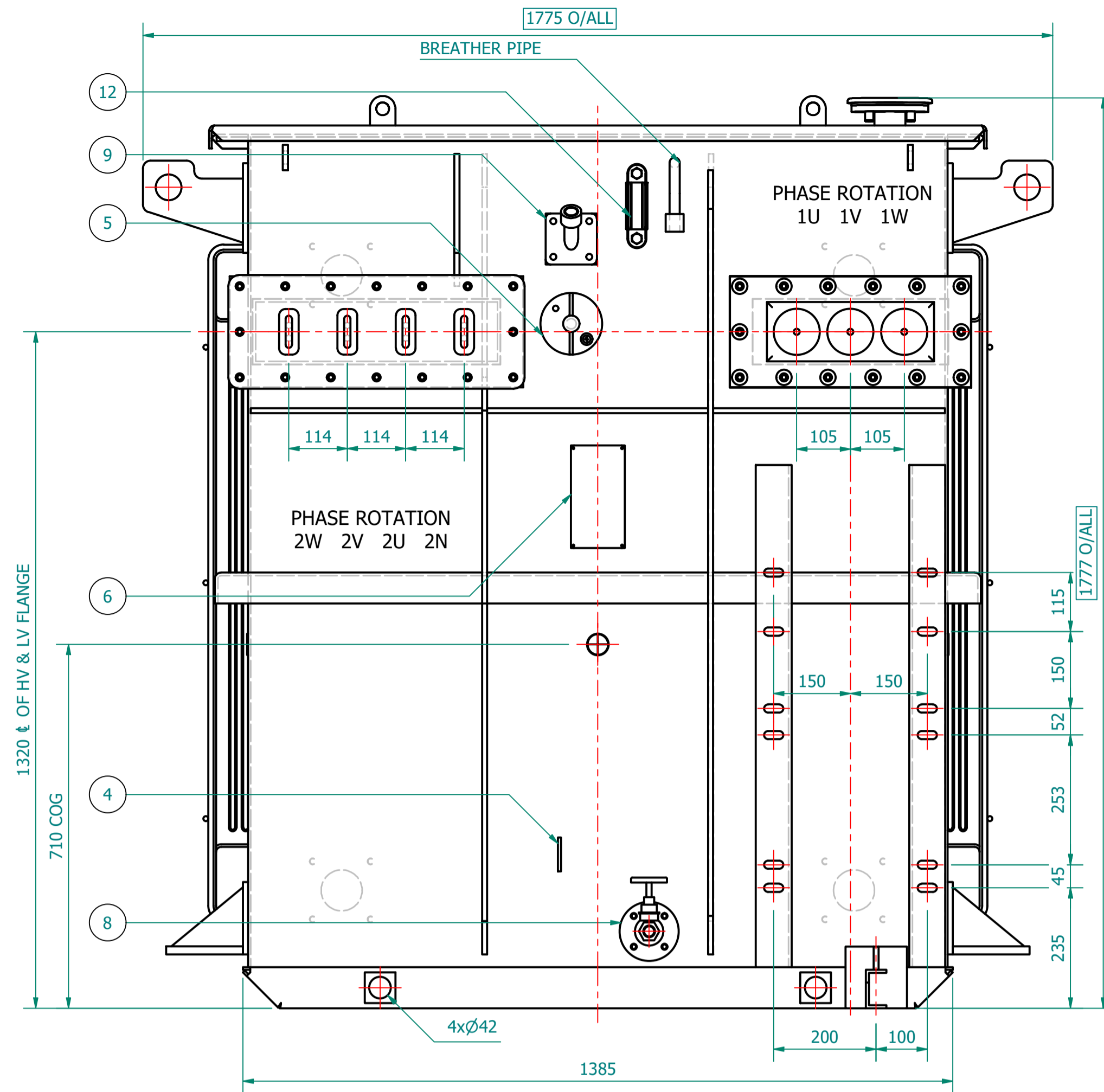
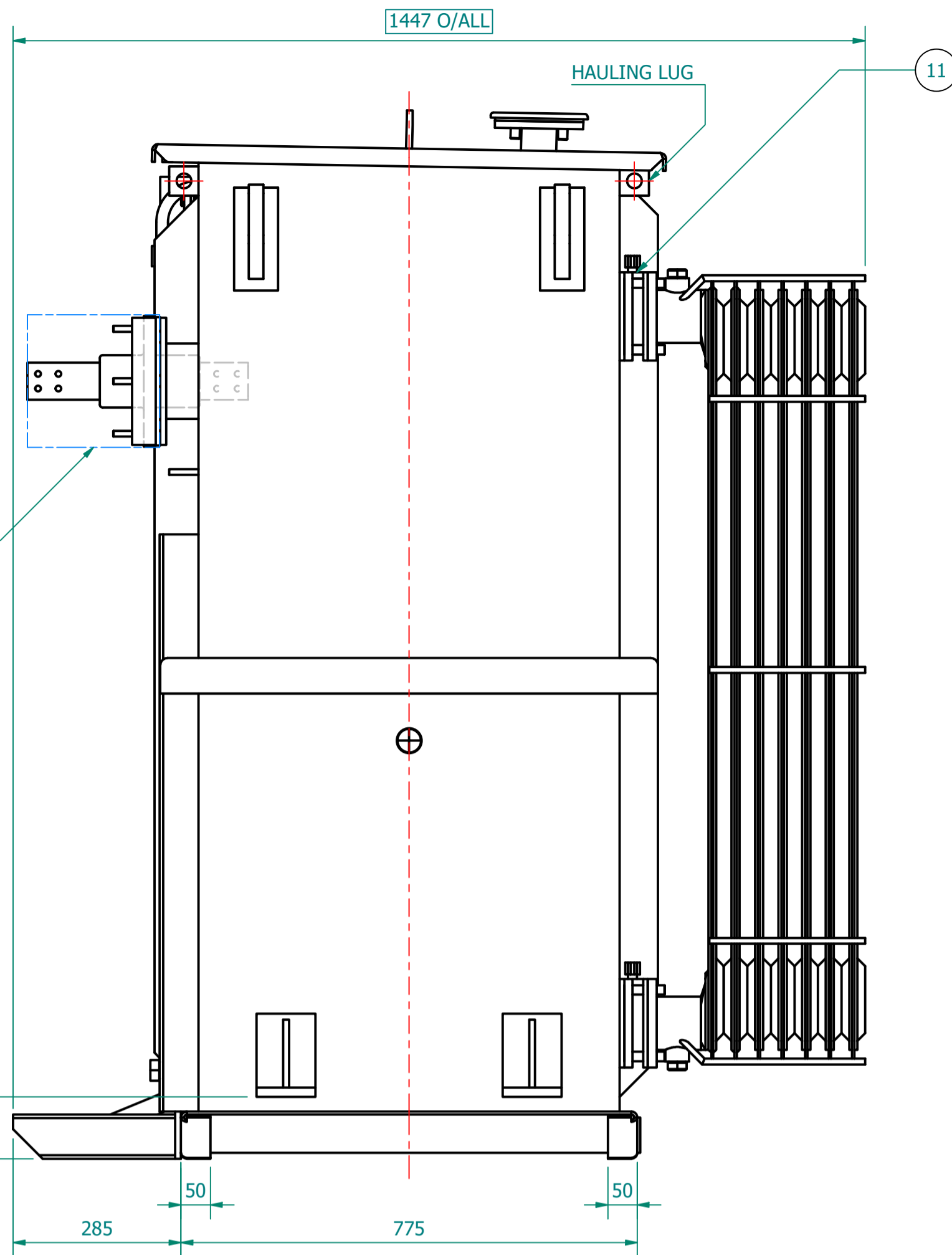
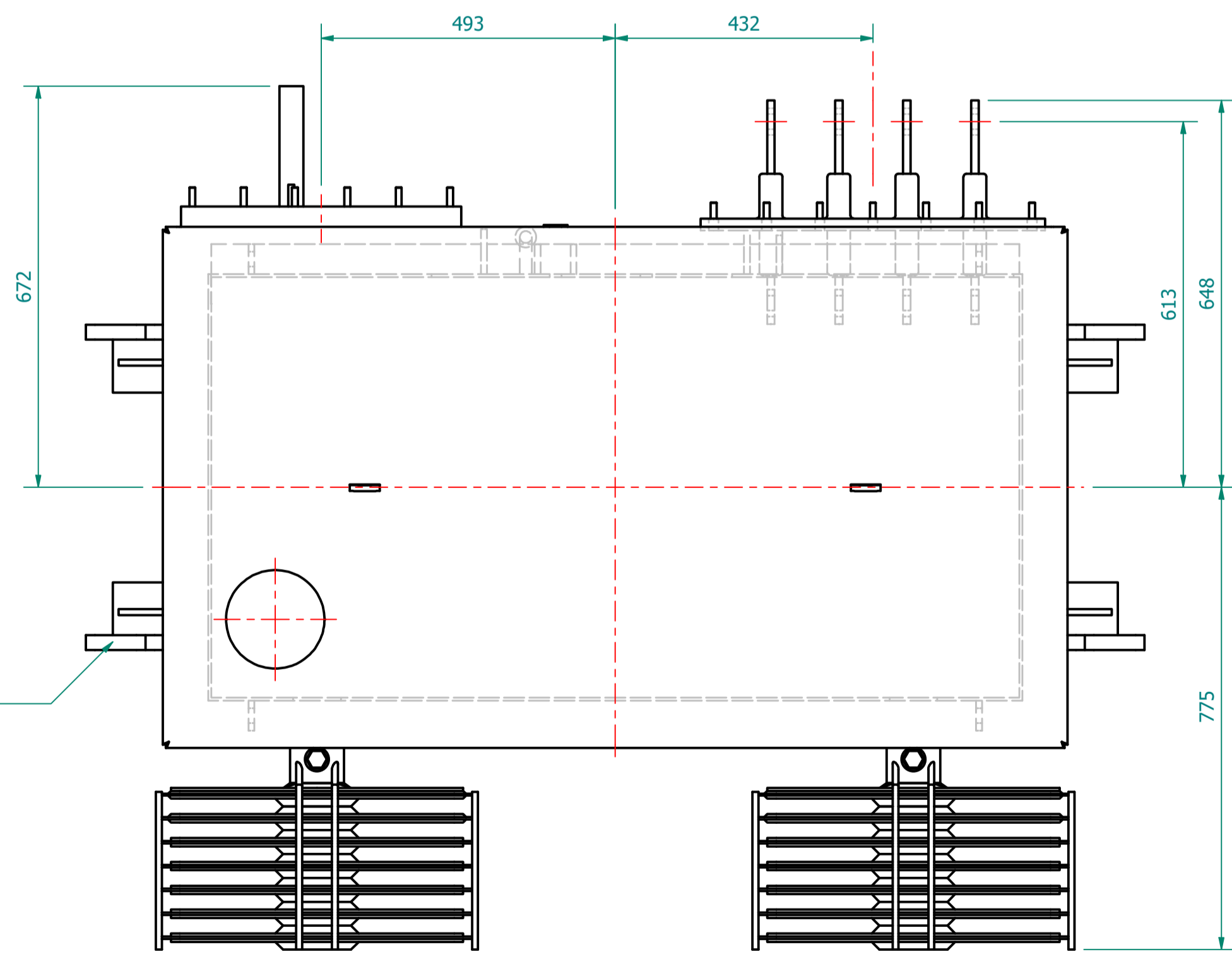


PROTECTION COVER FOR TRANSPORTATION

105 JACKING POINT



PLAN VIEW



WILSON
d² UNIT TYPE
DISTRIBUTION

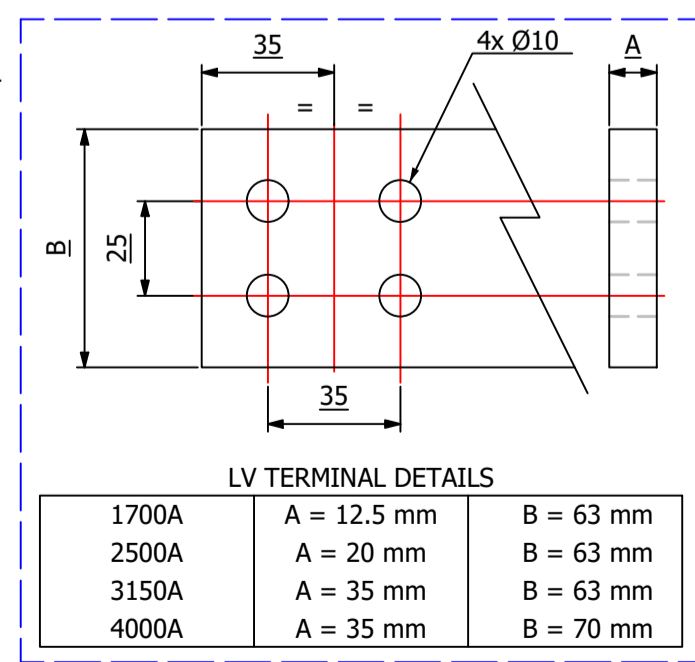
TRANSFORMER WEIGHT & VOLUME		
CORE AND WINDING	kg	1940
TANK AND FITTING	kg	1360
COOLING LIQUID VOLUME	L	1000
COOLING LIQUID WEIGHT	kg	820
TOTAL TX WEIGHT	kg	4120

1250kVA ELECTRICAL RATINGS					
No Load Voltage Ratio at Normal Tap	HV Tappings	Vector Group	Frequency	Full-Load Current at Normal Tap	
				HV Side	LV Side
11000 / 433V	+5 to -5.0% in 2.5% INCREMENTS	Dyn11	50Hz	65.6A	1666.71A
Design Impedance at Normal Tap	No Load Losses at rated Voltage & Frequency	Full Load Losses at rated Current & at 75°C Temp.	Temp. Rise above Ambient 40°C		
			in Oil by Therm.	in Wdg. by Res.	
5.0%	855W	9500W	60°C	65°C	

- GENERAL NOTES
- ALL DIMENSIONS ARE IN 'mm'.
 - ALL DIMENSIONS/WEIGHTS ARE SUBJECT TO ± 10% TOLERANCE.
 - ELECTRONIC SCALE - 1:1 (ONLY WRITTEN DIMENSIONS TO BE FOLLOWED).
 - TOLERANCE ON IMPEDANCE PER IEC:60076.
 - PAINT SHADE.: RAL7033 TO ISO12944 - MIN C4 SPEC.

ESSENTIAL LABELS

- ITEM 7 OFF-CIRCUIT TAP CHANGER / SO NEW CIRCUIT (TTC) TAP CHANGER WARNING LABEL
- ITEM 4 C.O.L. 15°C COLD COOLANT LEVEL
- LV WARNING LABEL
- HV WARNING LABEL



ITEM	QTY	DESCRIPTION
13	4	TRANSFORMER LIFTING LUGS
12	1	OIL LEVEL GAUGE (with 15°) COLD OIL LEVEL MARK
11	4	RADIATOR VALVE
10	2	DETACHABLE RADIATORS with AIR-RELEASE & DRAIN PLUG (520W x 1200C x 75 x 40P)
9	1	THERMOMETER POCKET (3/4" BSP MALE THREAD)
8	1	DRAIN VALVE (25NB) with MALE PLUG
7	4	JACKING PADS
6	1	RATING & DIAGRAM PLATE (SS)
5	1	DE-ENERGIZE TAP CHANGER (5-Position & Padlockable)
4	1	EARTHING TERMINAL (FLAT TYPE suitable for M12 Bolt)
3	1	TOP COVER with LIFTING LUGS (x2)
2	1	TRANSFORMER BASE (SKID TYPE) c/w HAULAGE HOLES
1	1	OIL FILLING PIPE WITH FLANGED COVER

IF IN DOUBT - ASK. REMOVE ALL SHARP EDGES. DO NOT SCALE. DRAWING NOT TO SCALE



REV	REV BY	VERIFIED	APPROVED	DESCRIPTION

REVISION DESCRIPTION	REV	PROJECT
ORIGINAL	00	

REV. BY:	DATE	CUSTOMER
J. NOVO	14-OCT-2022	

P.O. NUMBER	W.O. NUMBER	DRAWING TITLE
		GENERAL ARRANGEMENT DRAWING FOR d2, 1250kVA 11000/433V, 50Hz, Dyn11, ONAN AL WOUND UNIT TYPE TRANSFORMER

SUPPLIED BY:	WILSON POWER SOLUTIONS
<p>Westland Square, Leeds, West Yorkshire LS11 5SS, United Kingdom Tel: +44 (0) 113 271 7588 Fax: +44 (0) 113 277 5124 web: www.wilsonpowersolutions.co.uk email: info@wilsonpowersolutions.co.uk</p>	
DRAWN BY: J. NOVO	DATE: 14/10/2022
DRG NO: WPS-d2-UKPN-1250-AL-U001	