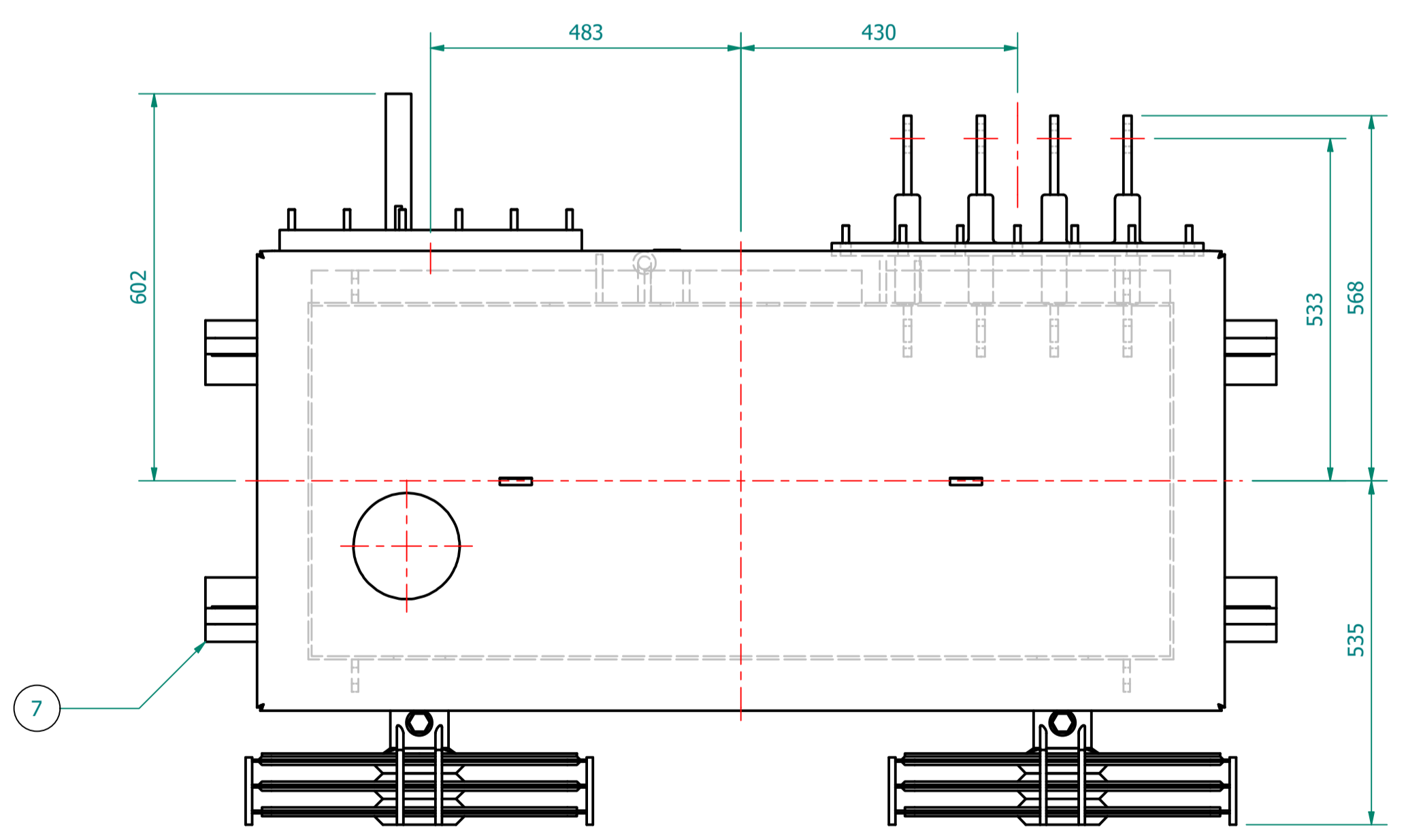
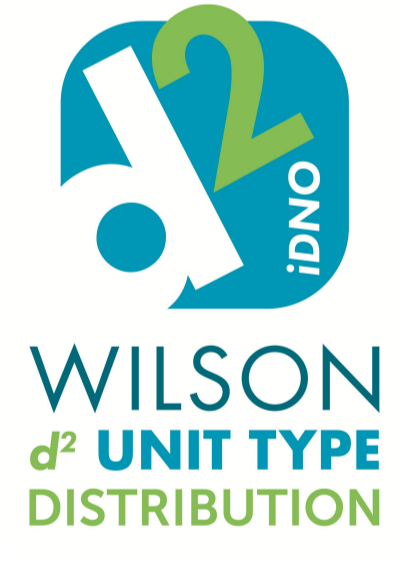


PLAN VIEW

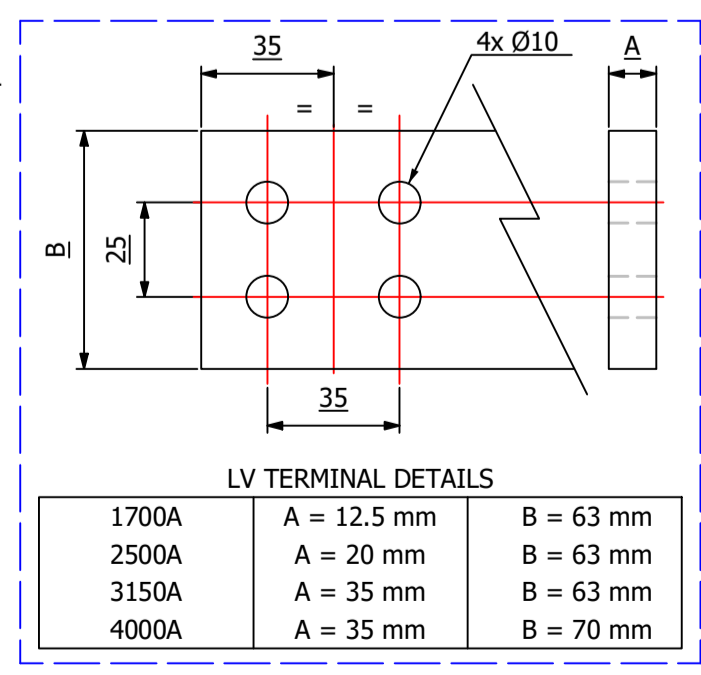


TRANSFORMER WEIGHT & VOLUME		
CORE AND WINDING	kg	1090
TANK AND FITTING	kg	575
COOLING LIQUID VOLUME	L	713
COOLING LIQUID WEIGHT	kg	585
TOTAL TX WEIGHT	kg	2250



**ESSENTIAL LABELS**

- ITEM 7: OFF-CIRCUIT TAP CHANGER WARNING LABEL
- ITEM 4: COLD COOLANT LEVEL - C.O.L. 15°C
- LV WARNING LABEL
- HV WARNING LABEL

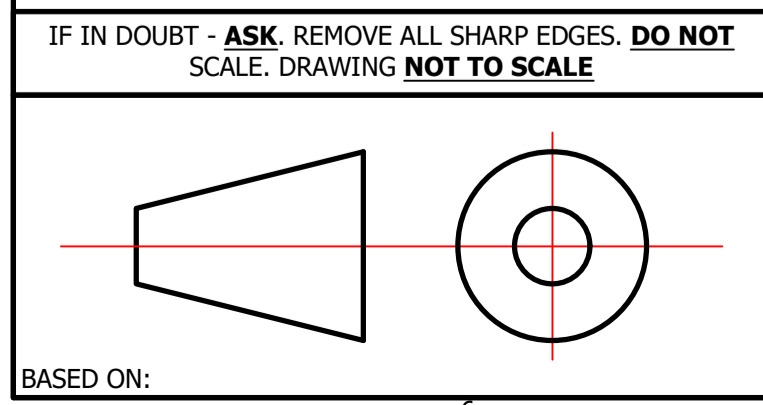


500kVA ELECTRICAL RATINGS					
No Load Voltage Ratio at Normal Tap	HV Tappings	Vector Group	Frequency	Full-Load Current at Normal Tap	
				HV Side	LV Side
11000 / 433V	+5 to -5.0% in 2.5% INCREMENTS	Dyn11	50Hz	26.24A	666.69A
Design Impedance at Normal Tap	No Load Losses at rated Voltage & Frequency	Full Load Losses at rated Current & at 75°C Temp.	Temp. Rise above Ambient 40°C		
			in Oil by Therm.	in Wdg. by Res.	
4.75%	459W	3900W	60°C	65°C	

**GENERAL NOTES**

- ALL DIMENSIONS ARE IN 'mm'.
- ALL DIMENSIONS/WEIGHTS ARE SUBJECT TO ± 10% TOLERANCE.
- ELECTRONIC SCALE - 1:1 (ONLY WRITTEN DIMENSIONS TO BE FOLLOWED).
- TOLERANCE ON IMPEDANCE PER IEC:60076.
- PAINT SHADE.: RAL7033 TO ISO12944 - MIN C4 SPEC.

ITEM	QTY	DESCRIPTION
13	4	TRANSFORMER LIFTING LUGS
12	1	OIL LEVEL GAUGE (with 15°) COLD OIL LEVEL MARK
11	4	RADIATOR VALVE
10	2	DETACHABLE RADIATORS with AIR-RELEASE & DRAIN PLUG (520W x 1100C x 35 x 40P)
9	1	THERMOMETER POCKET (3/4" BSP MALE THREAD)
8	1	DRAIN VALVE (25NB) with MALE PLUG
7	4	JACKING PADS
6	1	RATING & DIAGRAM PLATE (SS)
5	1	DE-ENERGIZE TAP CHANGER (5-Position & Padlockable)
4	1	EARTHING TERMINAL (FLAT TYPE suitable for M12 Bolt)
3	1	TOP COVER with LIFTING LUGS (x2)
2	1	TRANSFORMER BASE (SKID TYPE) c/w HAULAGE HOLES
1	1	OIL FILLING PIPE WITH FLANGED COVER



REV	REV BY	VERIFIED	APPROVED	DESCRIPTION

REVISION DESCRIPTION	REV	PROJECT
ORIGINAL	00	

PROJECT	DRAWING TITLE
	GENERAL ARRANGEMENT DRAWING FOR d2, 500kVA
	11000/433V, 50Hz, Dyn11, ONAN
	AL WOUND UNIT TYPE TRANSFORMER

SUPPLIED BY: **Wilson Power Solutions Ltd.**  
 Westland Square, Leeds,  
 West Yorkshire LS11 5SS, United Kingdom  
 Tel: +44 (0) 113 271 7588  
 Fax: +44 (0) 113 277 5124  
 web: www.wilsonpowersolutions.co.uk email: info@wilsonpowersolutions.co.uk

DRWN BY: J. NOVO DATE: 14/10/2022 DRG NO: WPS-d2-UKPN-500-AL-U001