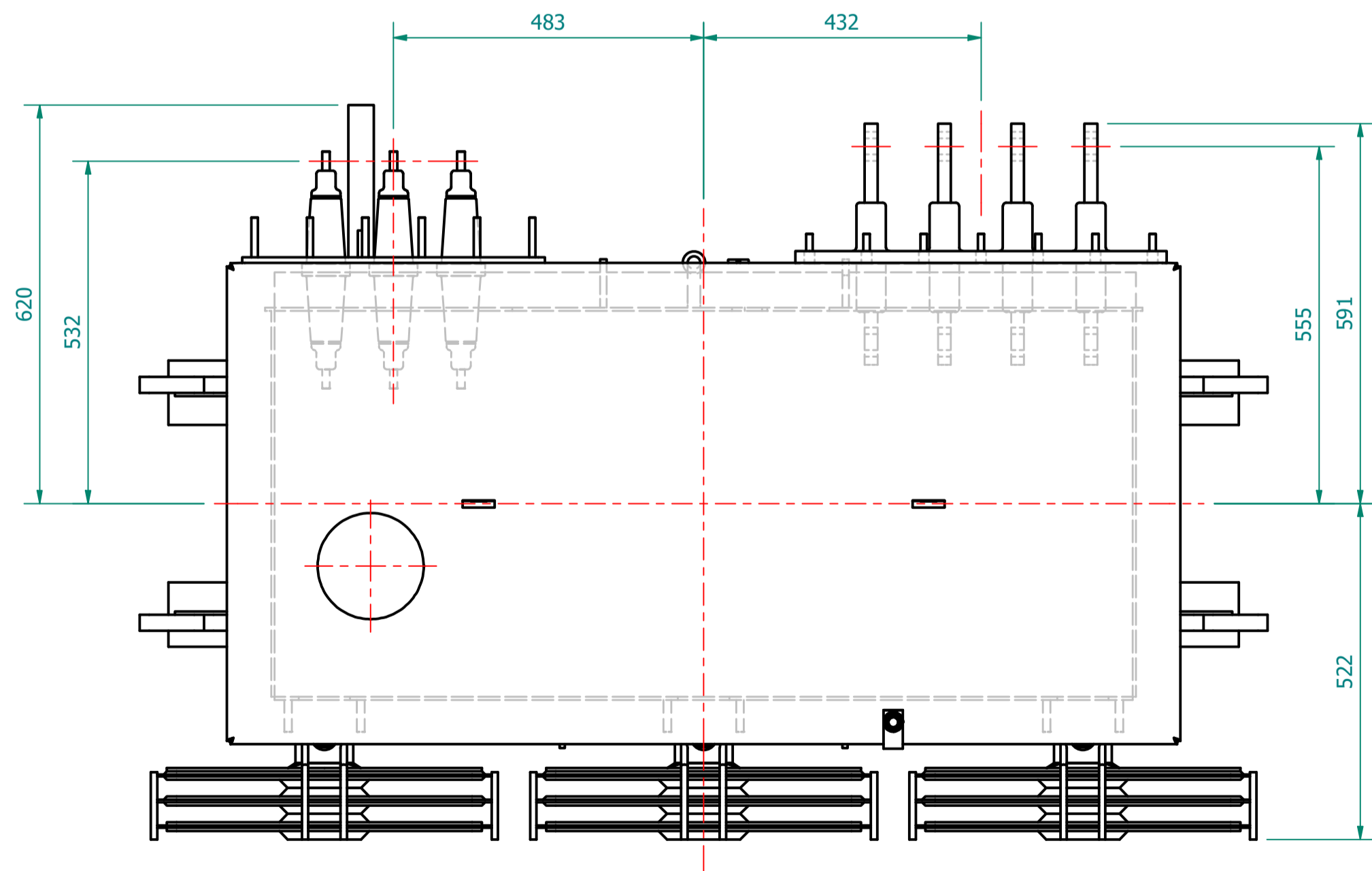
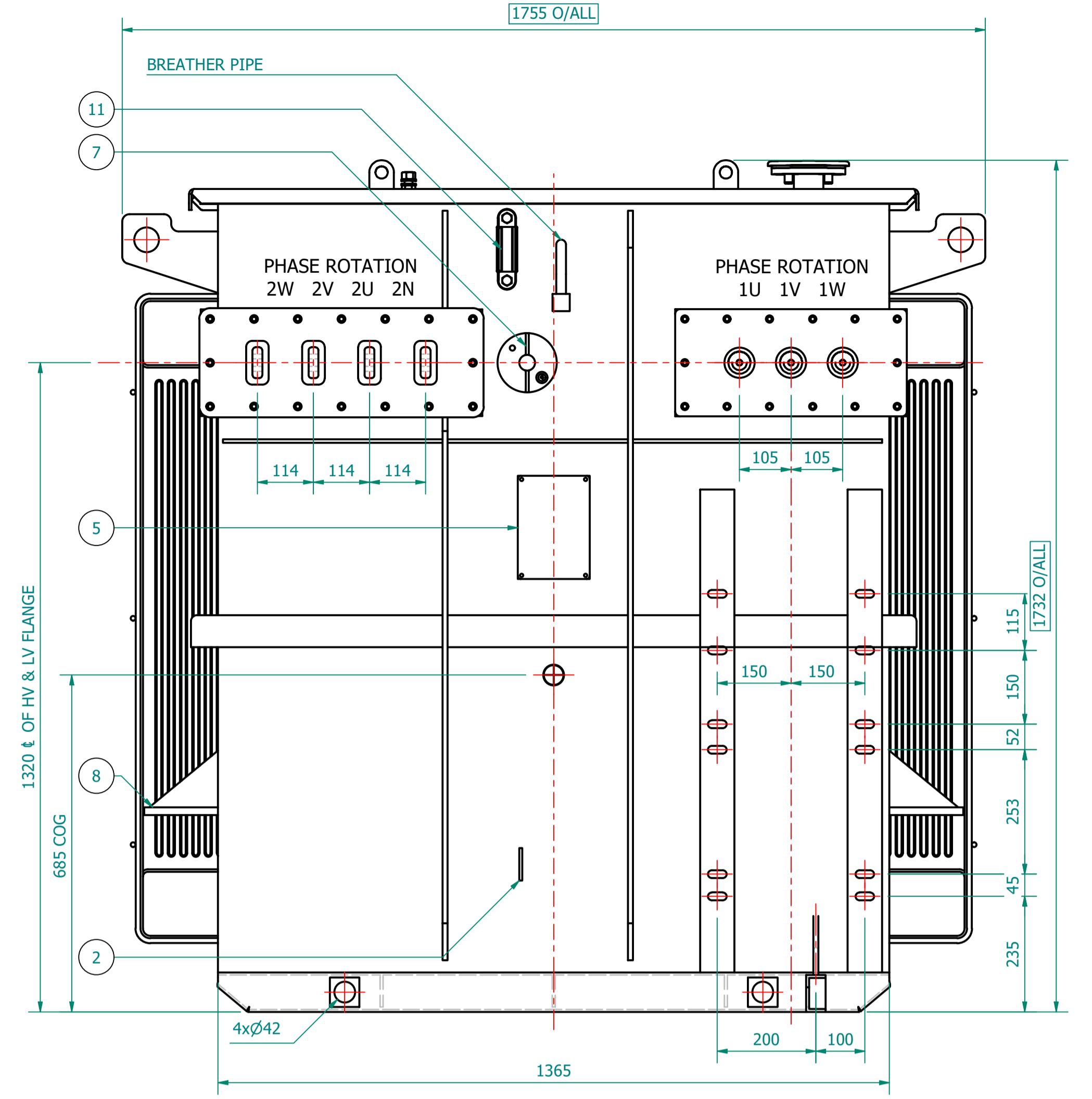
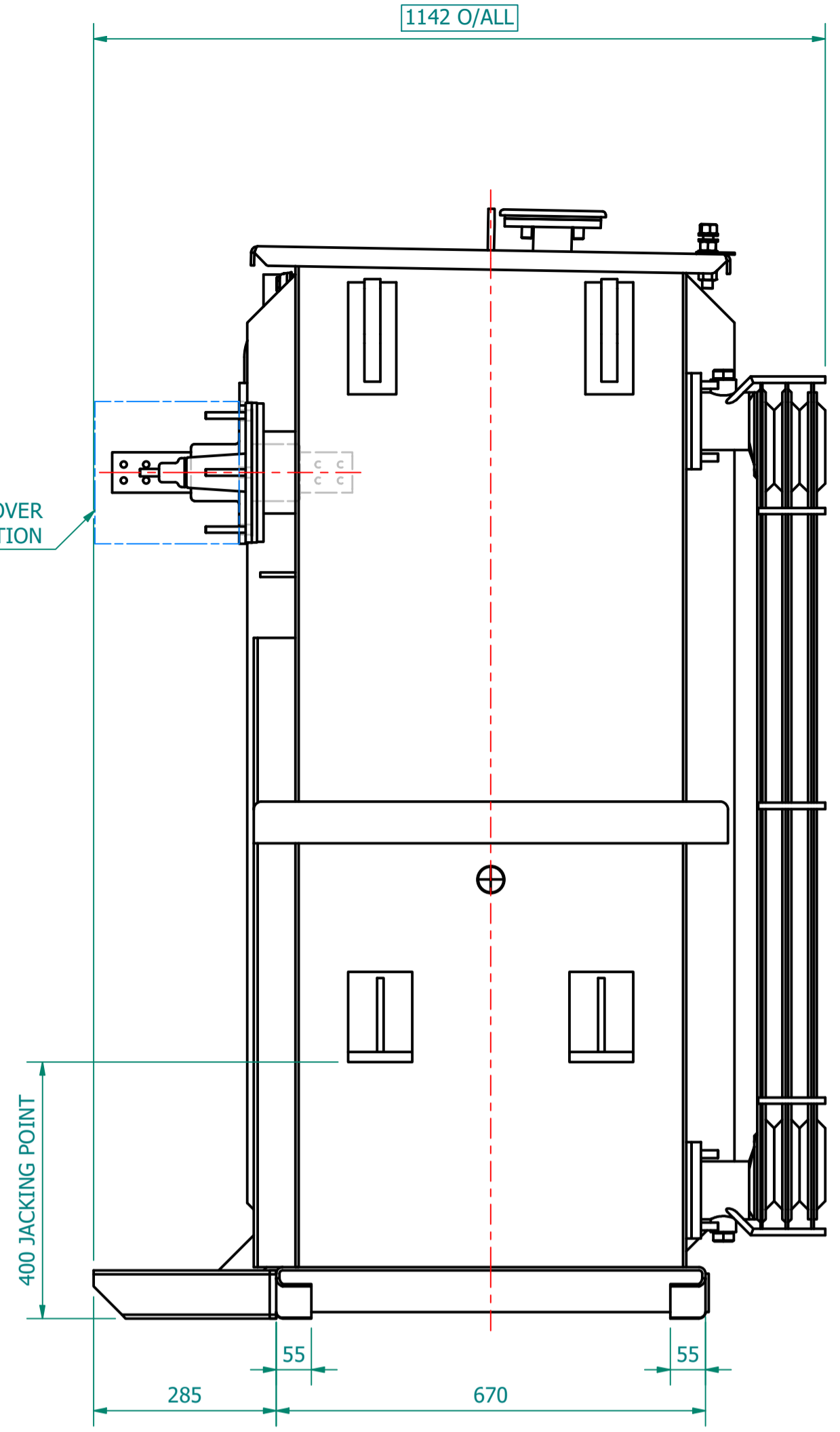


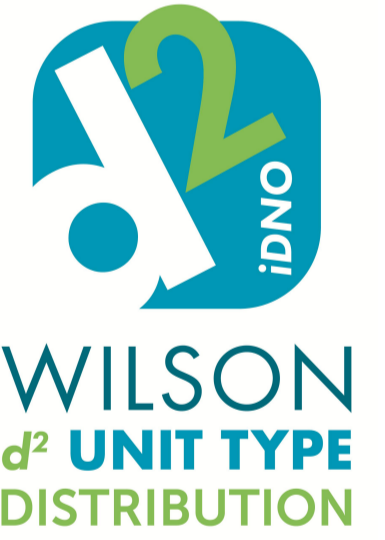
PLAN VIEW



LV AND HV PROTECTION COVER FOR TRANSPORTATION

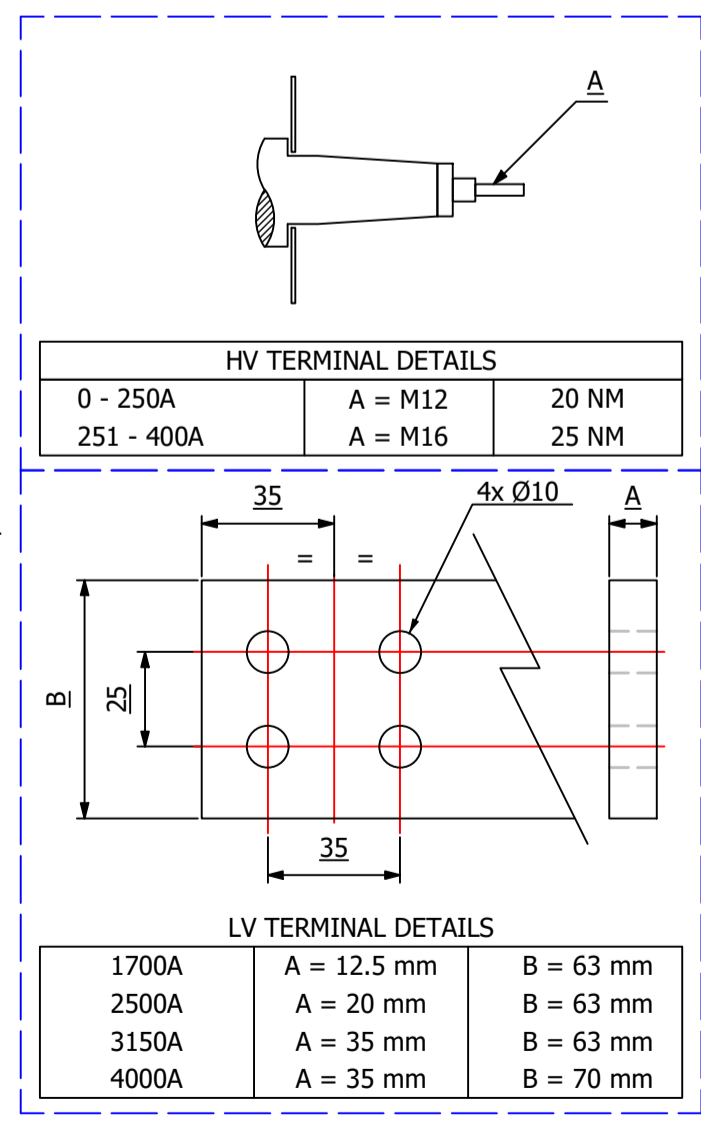


| TRANSFORMER WEIGHT & VOLUME | | |
|-----------------------------|----|------|
| CORE AND WINDING | kg | 1618 |
| TANK AND FITTING | kg | 1082 |
| COOLING LIQUID VOLUME | L | 792 |
| COOLING LIQUID WEIGHT | kg | 650 |
| TOTAL TX WEIGHT | kg | 3350 |



ESSENTIAL LABELS

- ITEM 7: OFF-CIRCUIT TAP CHANGER WARNING LABEL (NO OPEN CIRCUIT TAP CHANGERS)
- ITEM 4: C.O.L. 15°C COLD COOLANT LEVEL
- LV WARNING LABEL
- HV WARNING LABEL



| 800KVA ELECTRICAL RATINGS | | | | | |
|-------------------------------------|---|---|-------------------------------|---------------------------------|---------|
| No Load Voltage Ratio at Normal Tap | HV Tappings | Vector Group | Frequency | Full-Load Current at Normal Tap | |
| 11000 / 433V | +5.0 to -5.0% in 2.5% INCREMENTS | Dyn11 | 50Hz | HV Side | LV Side |
| Design Impedance at Normal Tap | No Load Losses at rated Voltage & Frequency | Full Load Losses at rated Current & at 75°C Temp. | Temp. Rise above Ambient 40°C | | |
| 4.75% | 585W | 6000W | in Oil by Therm. | in Wdg. by Res. | |
| | | | 60°C | 65°C | |

GENERAL NOTES

- ALL DIMENSIONS ARE IN 'mm'.
- ALL DIMENSIONS/WEIGHTS ARE SUBJECT TO ± 10% TOLERANCE.
- ELECTRONIC SCALE - 1:1 (ONLY WRITTEN DIMENSIONS TO BE FOLLOWED).
- TOLERANCE ON IMPEDANCE PER IEC:60076.
- PAINT SHADE.: 632 As PER BS:381C (SEMI GLOSS) TO ISO12944 - MIN C4 SPEC.

| ITEM | QTY | DESCRIPTION |
|------|-----|--|
| 11 | 1 | OIL LEVEL GAUGE (with 15° COLD OIL LEVEL MARK) |
| 10 | 3 | DETACHABLE RADIATORS with AIR-RELEASE & DRAIN PLUG (520W x 1200C x 35 x 40P) |
| 9 | 1 | EARTHING STRIP ARRANGEMENT BETWEEN TANK AND TOP COVER |
| 8 | 4 | JACKING PADS |
| 7 | 1 | OFF-CIRCUIT TAP SWITCH (5-Position & Padlockable) |
| 6 | 1 | OIL FILLING PIPE WITH FLANGED COVER |
| 5 | 1 | RATING & DIAGRAM PLATE (SS) |
| 4 | 1 | TOP COVER with LIFTING LUGS (x2) |
| 3 | 4 | TRANSFORMER LIFTING LUGS |
| 2 | 1 | EARTHING TERMINAL (FLAT TYPE suitable for M12 Bolt) |
| 1 | 1 | TRANSFORMER BASE (SKID TYPE) c/w HAULAGE HOLES |

IF IN DOUBT - ASK. REMOVE ALL SHARP EDGES. DO NOT SCALE. DRAWING NOT TO SCALE

MANUFACTURED BY: **TOSHIBA TRANSFORMER**
TOSHIBA TRANSMISSION & DISTRIBUTION SYSTEMS (INDIA) PVT. LTD.

| REV | REV BY | VERIFIED | APPROVED | DESCRIPTION |
|-----|--------|----------|----------|-------------|
| | | | | |

| REVISION DESCRIPTION | REV | PROJECT |
|----------------------|-----|---------|
| ORIGINAL | 00 | |

| REV. BY: | DATE | PROJECT |
|----------|-------------|---------|
| J. NOVO | 11-JUL-2022 | |

| CUSTOMER | S.O. NUMBER | P.O. NUMBER | W.O. NUMBER |
|----------|-------------|-------------|-------------|
| | | | |

| DRAWING TITLE |
|---|
| GENERAL ARRANGEMENT DRAWING FOR d2, 800KVA 11000/433V, 50Hz, Dyn11, ONAN AL WOUND UNIT TYPE TRANSFORMER |

SUPPLIED BY: **Wilson Power Solutions Ltd.**
Westland Square, Leeds, West Yorkshire LS11 5SS, United Kingdom
Tel: +44 (0) 113 271 7588 Fax: +44 (0) 113 277 5124
web: www.wilsonpowersolutions.co.uk email: info@wilsonpowersolutions.co.uk

DRAWN BY: J. NOVO DATE: 14/10/2022 DRG NO: **WPS-d2-SSE-800-AL-S001**