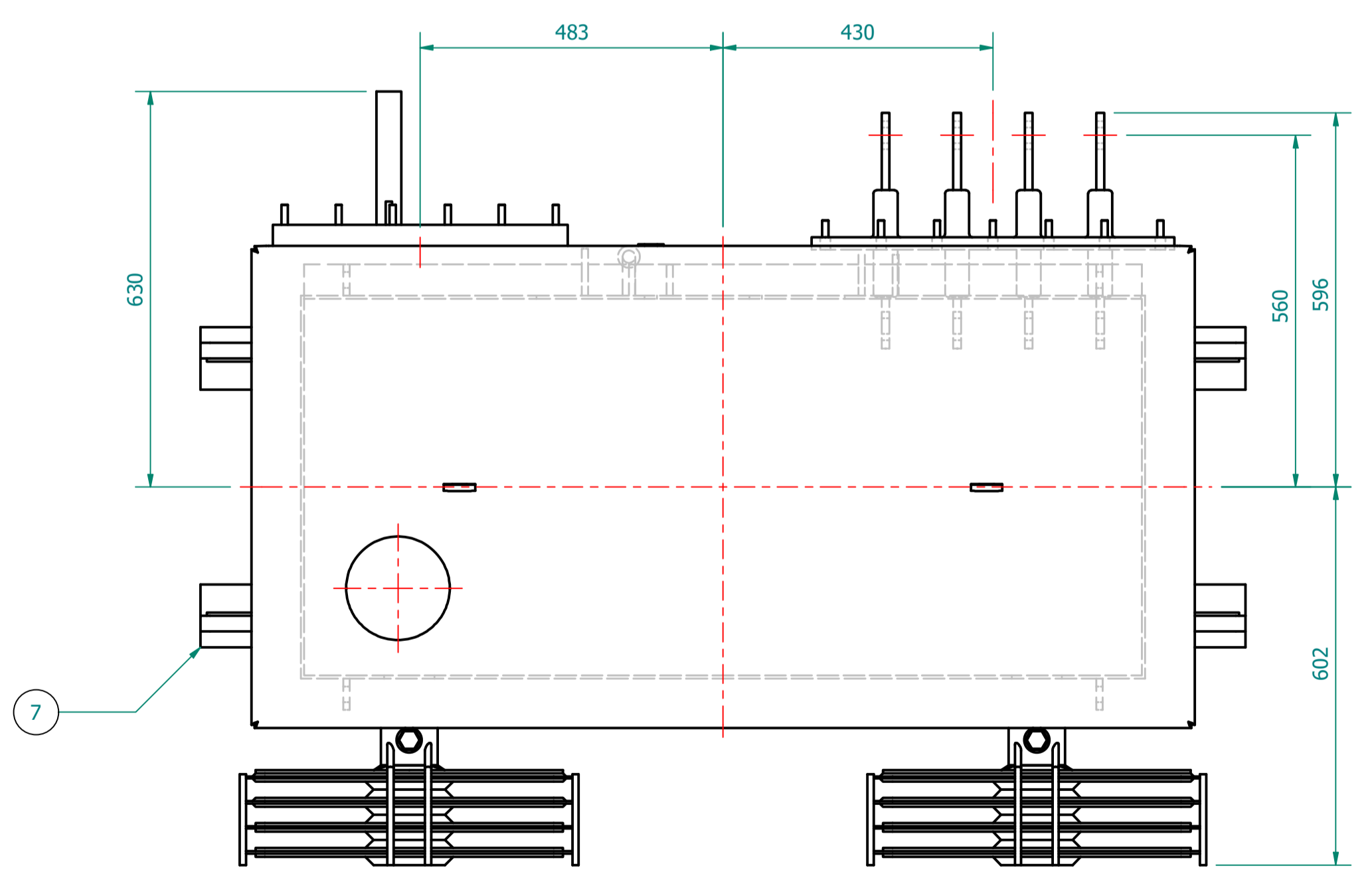


PLAN VIEW



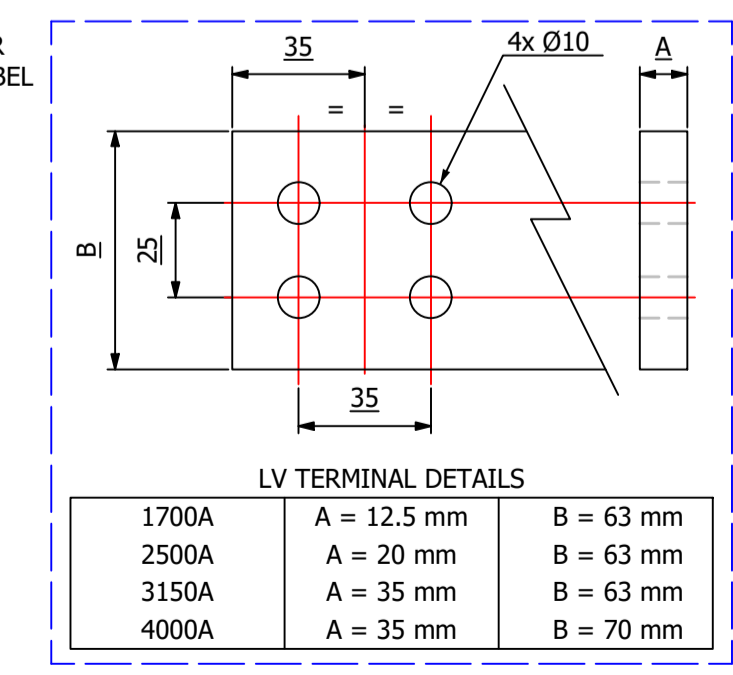
| TRANSFORMER WEIGHT & VOLUME | | |
|-----------------------------|----|------|
| CORE AND WINDING | kg | 1618 |
| TANK AND FITTING | kg | 1082 |
| COOLING LIQUID VOLUME | L | 793 |
| COOLING LIQUID WEIGHT | kg | 650 |
| TOTAL TX WEIGHT | kg | 3350 |

| 800kVA | | ELECTRICAL RATINGS | | | |
|-------------------------------------|---|---|-------------------------------|---------------------------------|----------|
| No Load Voltage Ratio at Normal Tap | HV Tappings | Vector Group | Frequency | Full-Load Current at Normal Tap | |
| | | | | HV Side | LV Side |
| 11000 / 433V | +5 to -5.0% in 2.5% INCREMENTS | Dyn11 | 50Hz | 41.98A | 1066.69A |
| Design Impedance at Normal Tap | No Load Losses at rated Voltage & Frequency | Full Load Losses at rated Current & at 75°C Temp. | Temp. Rise above Ambient 40°C | | |
| | | | in Oil by Therm. | in Wdg. by Res. | |
| 4.75% | 585W | 6000W | 60°C | 65°C | |

| ITEM | QTY | DESCRIPTION |
|------|-----|--|
| 13 | 4 | TRANSFORMER LIFTING LUGS |
| 12 | 1 | OIL LEVEL GAUGE (with 15°) COLD OIL LEVEL MARK |
| 11 | 4 | RADIATOR VALVE |
| 10 | 2 | DETACHABLE RADIATORS with AIR-RELEASE & DRAIN PLUG (520W x 1200C x 4S x 40P) |
| 9 | 1 | THERMOMETER POCKET (3/4" BSP MALE THREAD) |
| 8 | 1 | DRAIN VALVE (25NB) with MALE PLUG |
| 7 | 4 | JACKING PADS |
| 6 | 1 | RATING & DIAGRAM PLATE (SS) |
| 5 | 1 | DE-ENERGIZE TAP CHANGER (5-Position & Padlockable) |
| 4 | 1 | EARTHING TERMINAL (FLAT TYPE suitable for M12 Bolt) |
| 3 | 1 | TOP COVER with LIFTING LUGS (x2) |
| 2 | 1 | TRANSFORMER BASE (SKID TYPE) c/w HAULAGE HOLES |
| 1 | 1 | OIL FILLING PIPE WITH FLANGED COVER |

ESSENTIAL LABELS

- ITEM 7: OFF-CIRCUIT TAP CHANGERS, TAP CHANGER WARNING LABEL, SO NEVER OPERATE (TOP)
- ITEM 4: C.O.L. 15°C, COLD COOLANT LEVEL
- LV WARNING LABEL
- HV WARNING LABEL



- GENERAL NOTES**
- ALL DIMENSIONS ARE IN 'mm'.
 - ALL DIMENSIONS/WEIGHTS ARE SUBJECT TO ± 10% TOLERANCE.
 - ELECTRONIC SCALE - 1:1 (ONLY WRITTEN DIMENSIONS TO BE FOLLOWED).
 - TOLERANCE ON IMPEDANCE PER IEC:60076.
 - PAINT SHADE.: RAL7033 TO ISO12944 - MIN C4 SPEC.

IF IN DOUBT - ASK. REMOVE ALL SHARP EDGES. DO NOT SCALE. DRAWING NOT TO SCALE

MANUFACTURED BY: **TOSHIBA TRANSFORMER**
TOSHIBA TRANSMISSION & DISTRIBUTION SYSTEMS (INDIA) PVT. LTD.

| REV | REV BY | VERIFIED | APPROVED | DESCRIPTION |
|-----|--------|----------|----------|-------------|
| | | | | |

| REVISION DESCRIPTION | REV | PROJECT |
|----------------------|-----|---------|
| ORIGINAL | 00 | |

| REV. BY: | DATE | CUSTOMER |
|----------|-------------|----------|
| J. NOVO | 14-OCT-2022 | |

| PROJECT | DRAWING TITLE |
|---------|---|
| | GENERAL ARRANGEMENT DRAWING FOR d2, 800kVA 11000/433V, 50Hz, Dyn11, ONAN AL WOUND UNIT TYPE TRANSFORMER |

SUPPLIED BY: **Wilson Power Solutions Ltd.**
Westland Square, Leeds, West Yorkshire LS11 5SS, United Kingdom
Tel: +44 (0) 113 271 7588 Fax: +44 (0) 113 277 5124
web: www.wilsonpowersolutions.co.uk email: info@wilsonpowersolutions.co.uk

DRWN BY: J. NOVO DATE: 14/10/2022 DRG NO: **WPS-d2-UKPN-800-AL-U001**