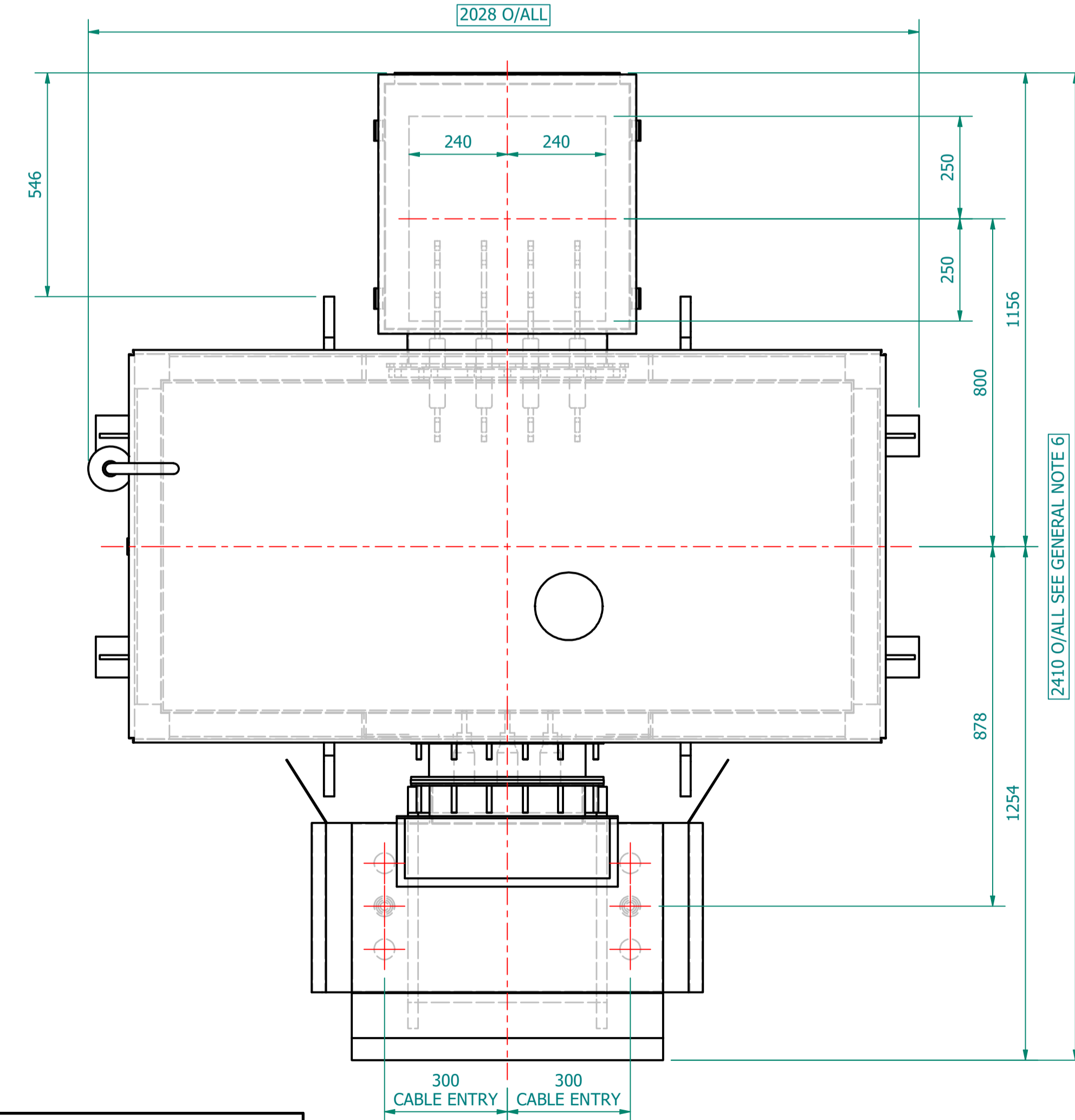
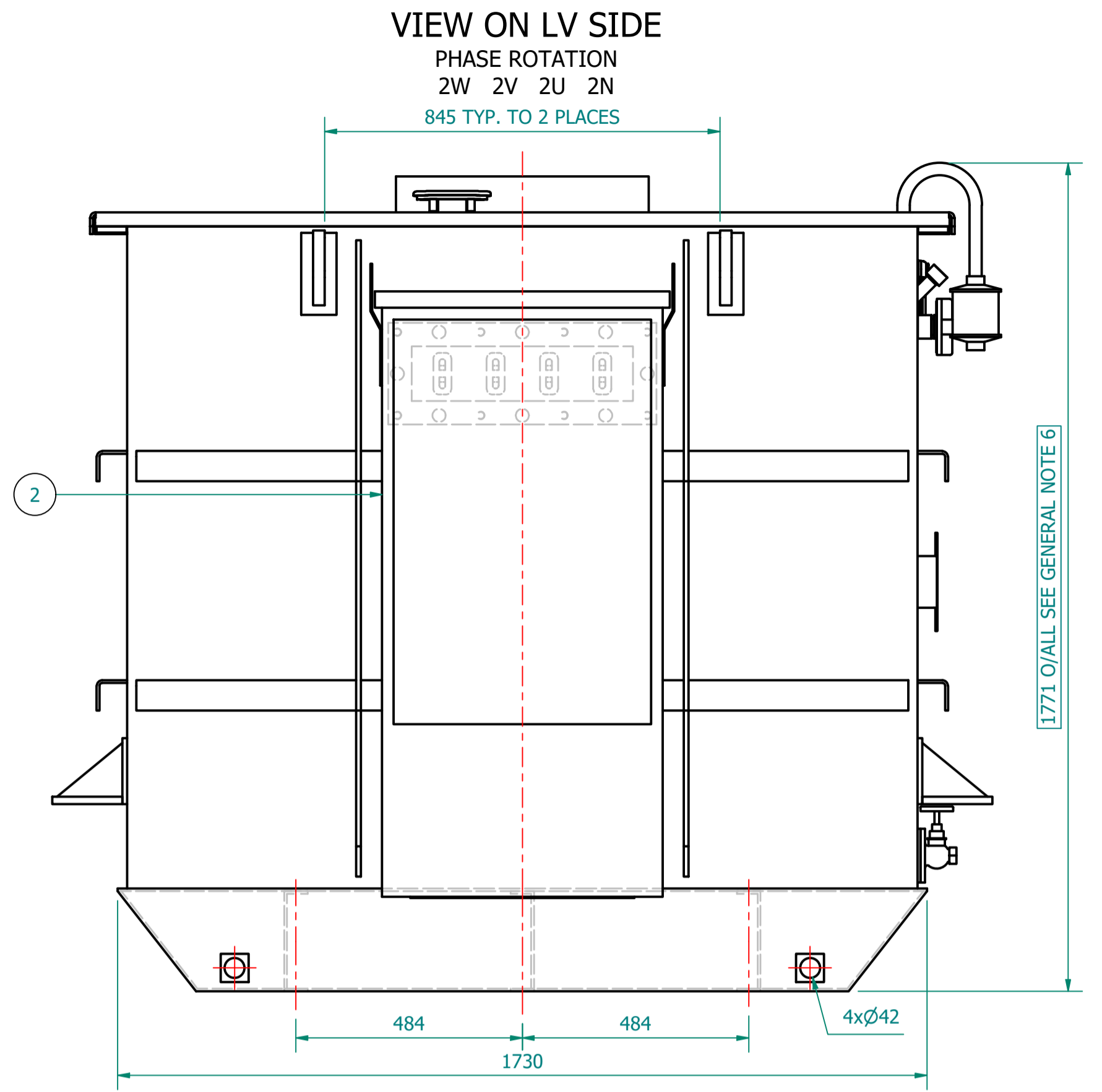
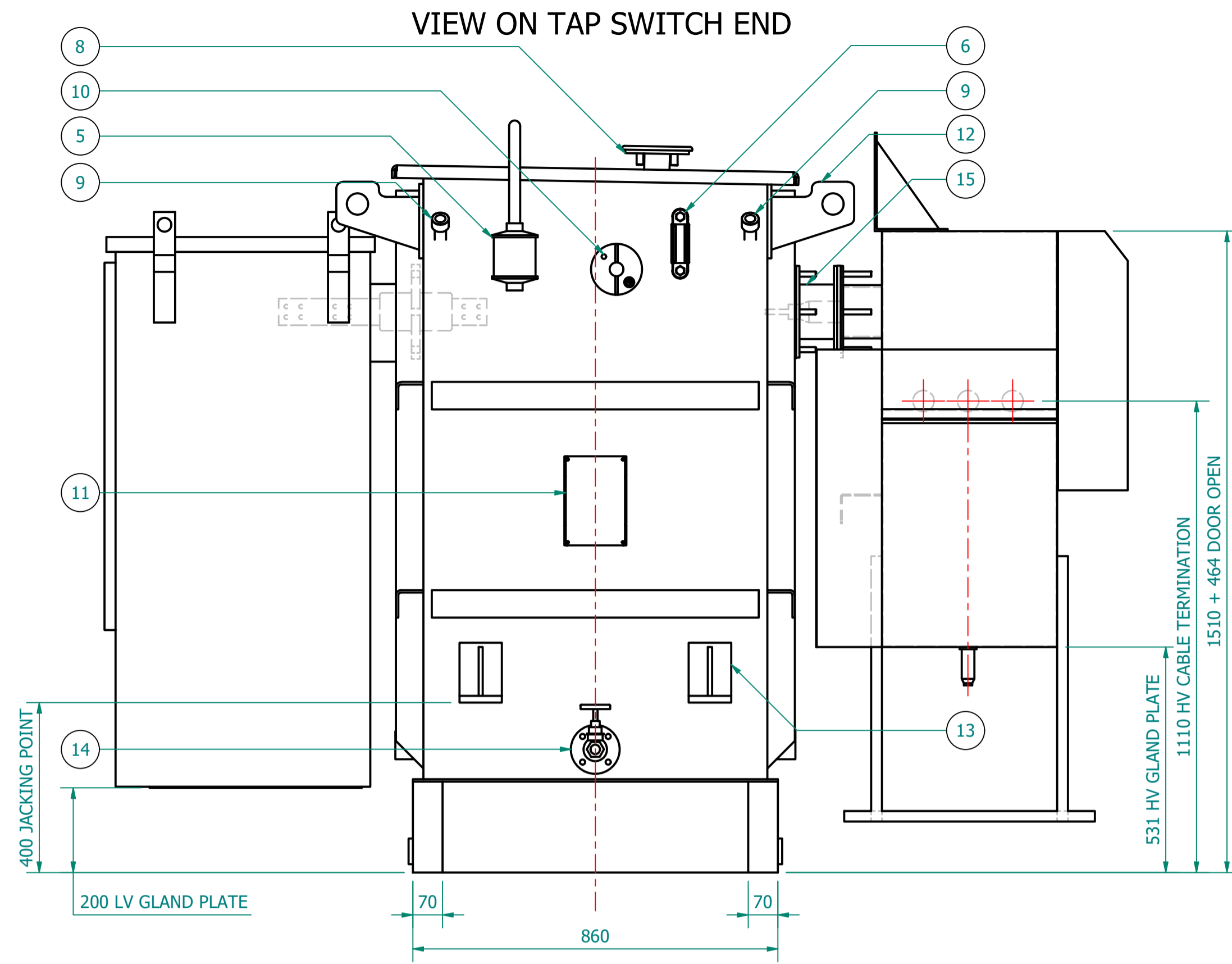


PLAN VIEW



GENERIC LV CABINET SHOWN. SIZES MAY CHANGE. FINAL DESIGN MAY REQUIRE SEPARATION FROM THE TX FOR TRANSPORTATION.



TRANSFORMER WEIGHT & VOLUME		
CORE AND WINDING	kg	2850
TANK AND FITTING	kg	800
COOLING LIQUID VOLUME	L	1106
COOLING LIQUID WEIGHT	kg	900
TOTAL TX WEIGHT	kg	4550
ADDITIONS TO THE TRANSFORMER WEIGHT		
RN2d RMU	Kg	385
LV CABINET	kg	----

1000kVA ELECTRICAL RATINGS					
No Load Voltage Ratio at Normal Tap	HV Tappings	Vector Group	Frequency	Full-Load Current at Normal Tap	
				HV Side	LV Side
11000 / 415V	+7.5 to -5.0% IN 2.5% INCREMENTS	Dyn11	50Hz	52.486A	1391.205A
Design Impedance at Normal Tap	No Load Losses at rated Voltage & Frequency	Full Load Losses at rated Current & at 75°C Temp.	Temp. Rise above Ambient 40°C		
			in Oil by Therm.	in Wdg. by Res.	
4.75%	460W	5610W	60°C	65°C	

ITEM	QTY	DESCRIPTION
15	1	HV THROAT
14	1	DRAIN VALVE (25NB) with MALE PLUG
13	4	JACKING PADS
12	4	TRANSFORMER LIFTING LUGS
11	1	RATING & DIAGRAM PLATE (SS)
10	1	OFF-CIRCUIT TAP SWITCH (6-Position & Padlockable)
9	2	THERMOMETER POCKET (3/4" BSP MALE THREAD)
8	1	OIL FILLING PIPE WITH FLANGED COVER
7	1	TOP COVER with LIFTING LUGS (x2)
6	1	OIL LEVEL GAUGE (with 15°) COLD OIL LEVEL MARK
5	1	SILICA GEL BREATHER TYPE R
4	2	EARTHING TERMINAL (FLAT TYPE suitable for M12 Bolt)
3	1	TRANSFORMER BASE (SKID TYPE) c/w HAULAGE HOLES & BRACING
2	1	LV CABINET, BOTTOM ENTRY, GENERIC MODEL - SUBJECT TO CHANGE (FACING-'F', BS:2562)
1	1	HV RMU - 11kV, 200A, GCB, 630A BUS [Schneider RN2d-T1/21] TLF PROTECTION, (FACING-'E' BS:2562)

**GENERAL NOTES**

- ALL DIMENSIONS ARE IN 'mm'.
- ALL DIMENSIONS/WEIGHTS ARE SUBJECT TO ± 10% TOLERANCE.
- ELECTRONIC SCALE - 1:1 (ONLY WRITTEN DIMENSIONS TO BE FOLLOWED).
- TOLERANCE ON IMPEDANCE PER IEC:60076.
- PAIN SHADE.: 632 As PER BS:381C (SEMI GLOSS) TO ISO12944 - MIN C4H SPEC.
- O/ALL DIMS ARE SUBJECT TO EQUIPMENT DOOR OPENING DISTANCES.

- ESSENTIAL LABELS**
- ITEM 10: TAP CHANGER WARNING LABEL
  - ITEM 6: C.O.L. 15°C COLD COOLANT LEVEL
  - ITEM 2: LV WARNING LABEL
  - ITEM 1: HV WARNING LABEL

IF IN DOUBT - ASK. REMOVE ALL SHARP EDGES. DO NOT SCALE. DRAWING NOT TO SCALE

REV	REV BY	VERIFIED	APPROVED	DESCRIPTION

REVISION DESCRIPTION	REV	PROJECT
ORIGINAL	00	

PROJECT	CUSTOMER	S.O. NUMBER	P.O. NUMBER	W.O. NUMBER

DRAWING TITLE: GENERAL ARRANGEMENT DRAWING FOR 1000kVA WILSON e4 AMORPHOUS ULTIMATE LOW LOSS 11000/415V, 50Hz, Dyn11, ONAN AL WOUND DISTRIBUTION TRANSFORMER RN2d RMU & LV CABINET

DRAWN BY: J. NOVO  
DATE: 01/07/2024  
DRAWING NO.: WPS-E4-1000-AL-A003

**WILSON POWER SOLUTIONS**  
Westland Square, Leeds  
West Yorkshire LS11 5SS, United Kingdom  
Tel: +44 (0) 113 271 7588  
Fax: +44 (0) 113 271 5124  
web: www.wilsonpowersolutions.co.uk email: info@wilsonpowersolutions.co.uk

SHEET 1 OF 1