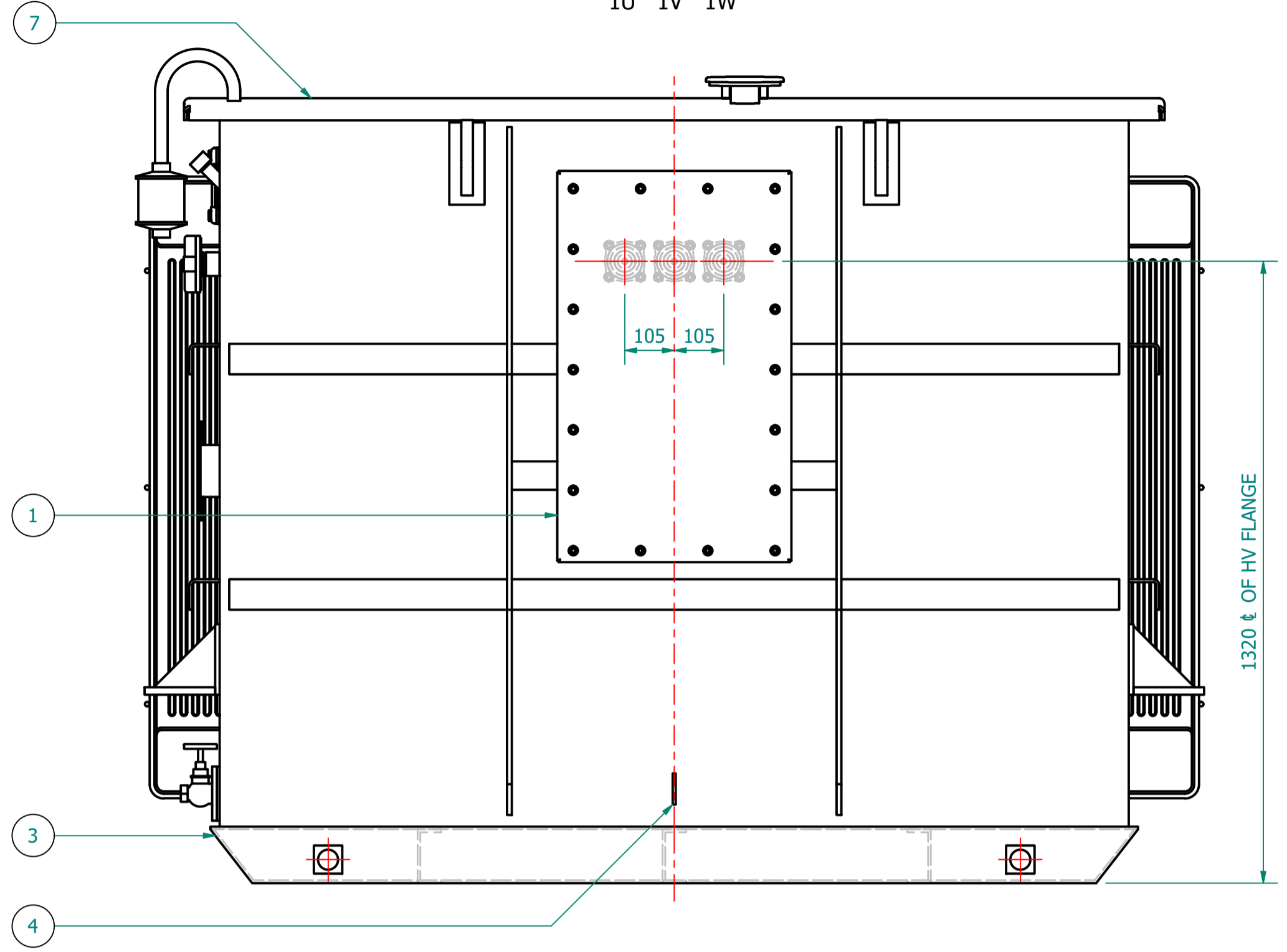
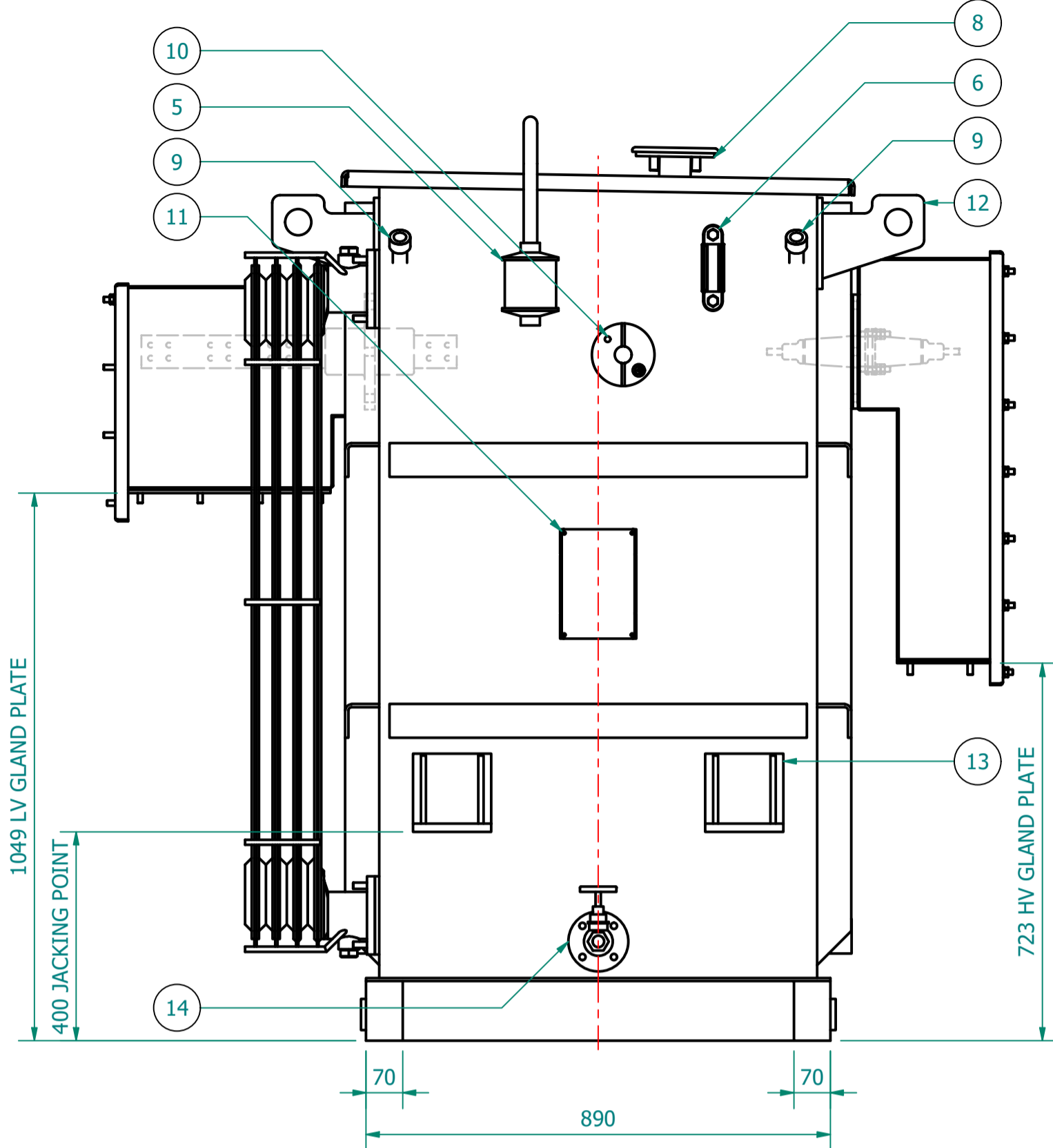


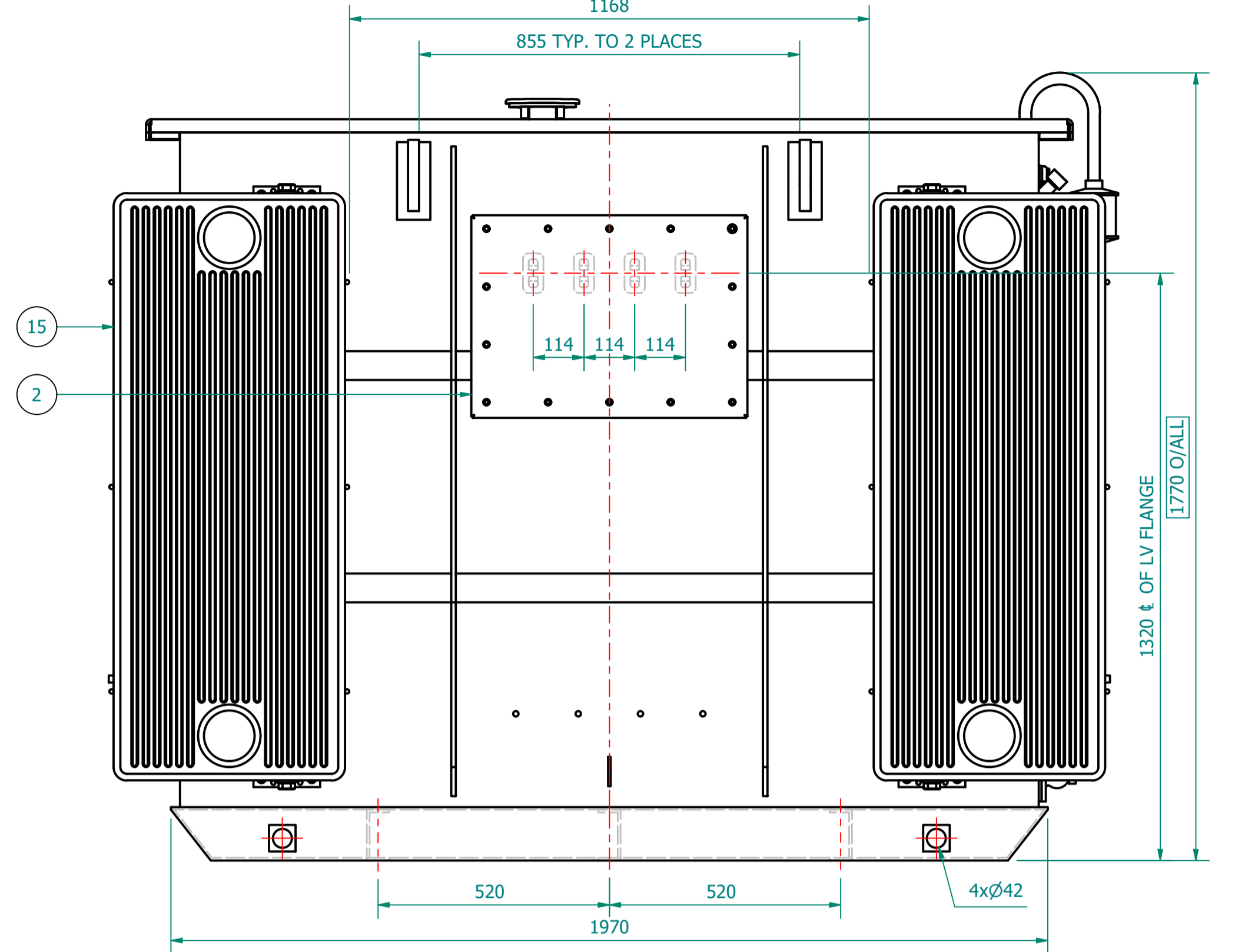
VIEW ON HV SIDE  
PHASE ROTATION  
1U 1V 1W



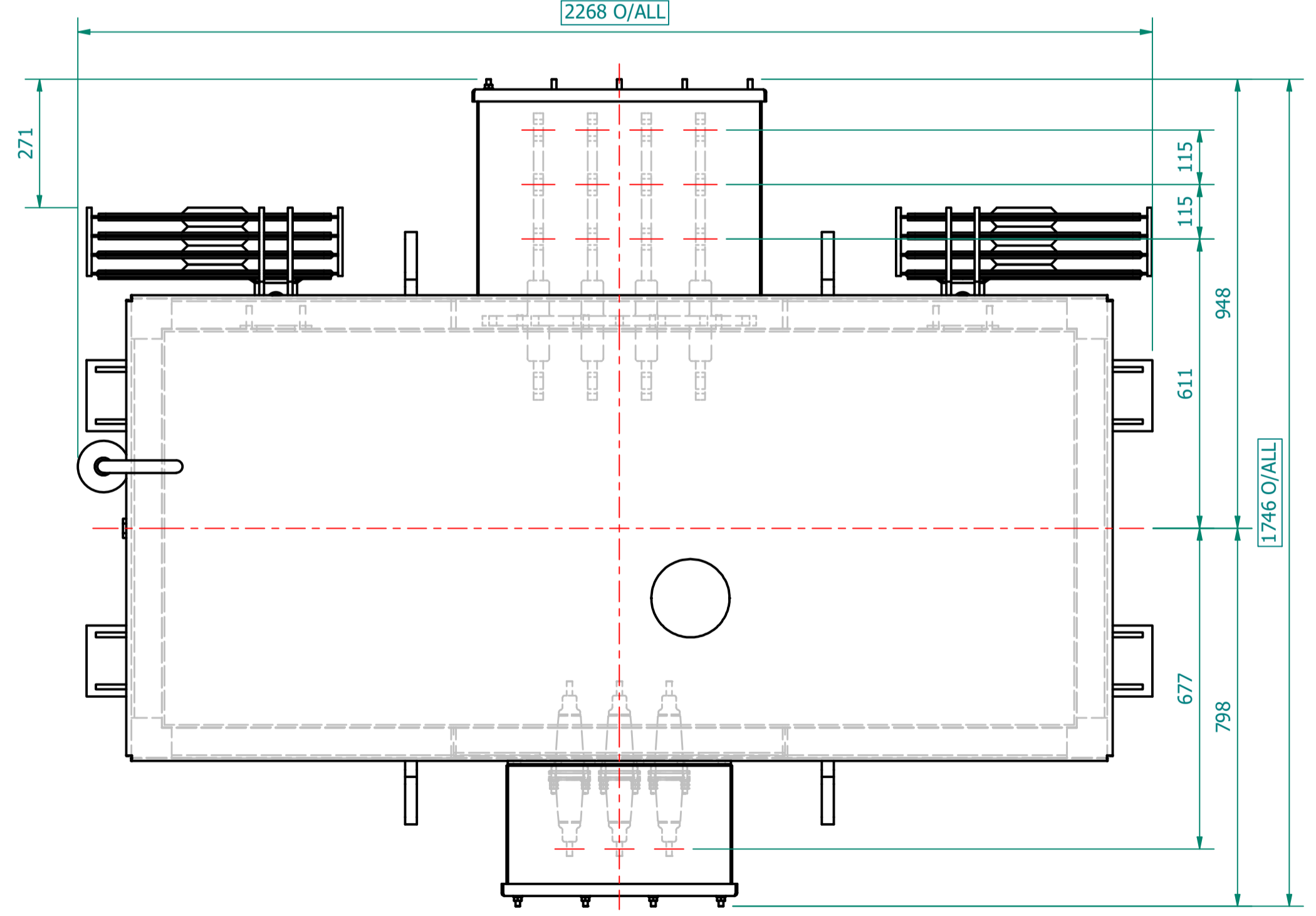
VIEW ON TAP SWITCH END



VIEW ON LV SIDE  
PHASE ROTATION  
2W 2V 2U 2N

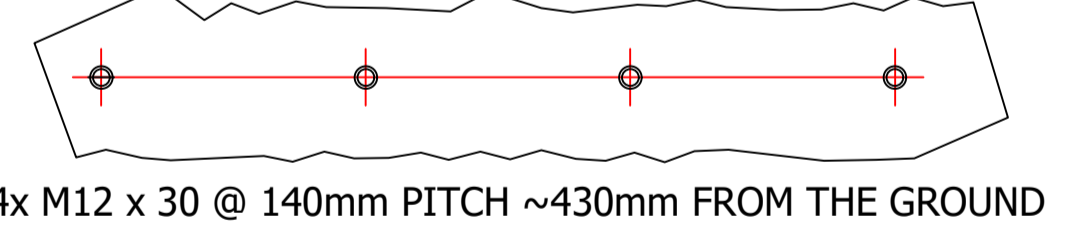


PLAN VIEW



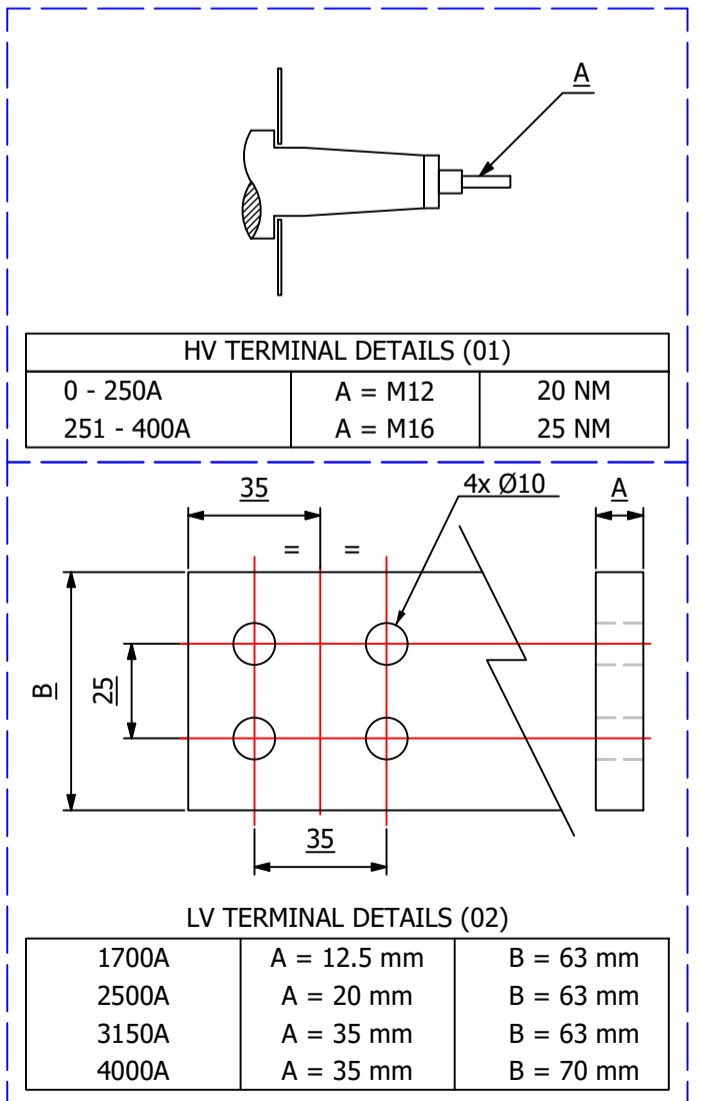
TRANSFORMER WEIGHT & VOLUME		
CORE AND WINDING	kg	3880
TANK AND FITTING	kg	1050
COOLING LIQUID VOLUME	L	1413
COOLING LIQUID WEIGHT	kg	1150
TOTAL TX WEIGHT	kg	6080

VIEW OF LV SIDE - CABLE CLEAT STUDS  
CABLES MUST BE SUPPORTED IN ACCORDANCE WITH -  
CURRENT IET Wiring Regulations BS7671 & IEC 61914



ESSENTIAL LABELS

- ITEM 10 TAP CHANGER WARNING LABEL
- ITEM 6 C.O.L. 15°C COLD COOLANT LEVEL
- ITEM 2 LV WARNING LABEL
- ITEM 1 HV WARNING LABEL



1600kVA ELECTRICAL RATINGS					
No Load Voltage Ratio at Normal Tap	HV Tappings	Vector Group	Frequency	Full-Load Current at Normal Tap	
11000 / 415V	+7.5 to -5.0% IN 2.5% INCREMENTS	Dyn11	50Hz	HV Side	LV Side
Design Impedance at Normal Tap	No Load Losses at rated Voltage & Frequency	Full Load Losses at rated Current & at 75°C Temp.	Temp. Rise above Ambient 40°C		
5.5%	675W	9170W	60°C	in Oil by Therm. in Wdg. by Res.	
GENERAL NOTES					
1 ALL DIMENSIONS ARE IN 'mm'.					
2 ALL DIMENSIONS/WEIGHTS ARE SUBJECT TO ± 10% TOLERANCE.					
3 ELECTRONIC SCALE - 1:1 (ONLY WRITTEN DIMENSIONS TO BE FOLLOWED).					
4 TOLERANCE ON IMPEDANCE PER IEC:60076.					
5 PAINT SHADE.: 632 As PER BS:381C (SEMI GLOSS) TO ISO12944 - MIN C4H SPEC.					
6					
7					
8					
9					

ITEM	QTY	DESCRIPTION
15	2	DETACHABLE RADIATORS with AIR-RELEASE & DRAIN PLUG (520W x 1200C x 45 x 40P)
14	1	DRAIN VALVE (25NB) with MALE PLUG
13	4	JACKING PADS
12	4	TRANSFORMER LIFTING LUGS
11	1	RATING & DIAGRAM PLATE (SS)
10	1	OFF-CIRCUIT TAP SWITCH (6-Position & Padlockable)
9	2	THERMOMETER POCKET (3/4" BSP MALE THREAD)
8	1	OIL FILLING PIPE WITH FLANGED COVER
7	1	TOP COVER with LIFTING LUGS (x2)
6	1	OIL LEVEL GAUGE (with 15°) COLD OIL LEVEL MARK
5	1	SILICA GEL BREATHER TYPE R
4	2	EARTHING TERMINAL (FLAT TYPE suitable for M12 Bolt)
3	1	TRANSFORMER BASE (SKID TYPE) c/w HAULAGE HOLES & BRACING
2	1	LV CABLE BOX - 1.1kV, 4-POLE, AIR INSULATION, (FACING-'F', BS:2562) SUITABLE FOR 3 x 1c CABLES PER PHASE & N - MAX. 630mm.sq
1	1	HV CABLE BOX - 12kV, 3-POLE, HEAT-SHRINK INSULATION, (FACING-'E' BS:2562) SUITABLE FOR 1 x 3c CABLE - MAX. 185mm.sq

IF IN DOUBT - ASK. REMOVE ALL SHARP EDGES. DO NOT SCALE. DRAWING NOT TO SCALE

	REVISION DESCRIPTION ORIGINAL	REV 00	PROJECT CUSTOMER	DRAWING TITLE GENERAL ARRANGEMENT DRAWING FOR 1600kVA WILSON e4 AMORPHOUS ULTIMATE LOW LOSS 11000/415V, 50Hz, Dyn11, ONAN AL WOUND DISTRIBUTION TRANSFORMER	DRAWN BY: J. NOVO	
	REV. BY: J. NOVO VERIFIED: APPROVED:	DATE 02-MAY-2024	P.O. NUMBER W.O. NUMBER	DATE: 02/05/2024	DRAWING NO.: WPS-E4-1600-AL-GA	