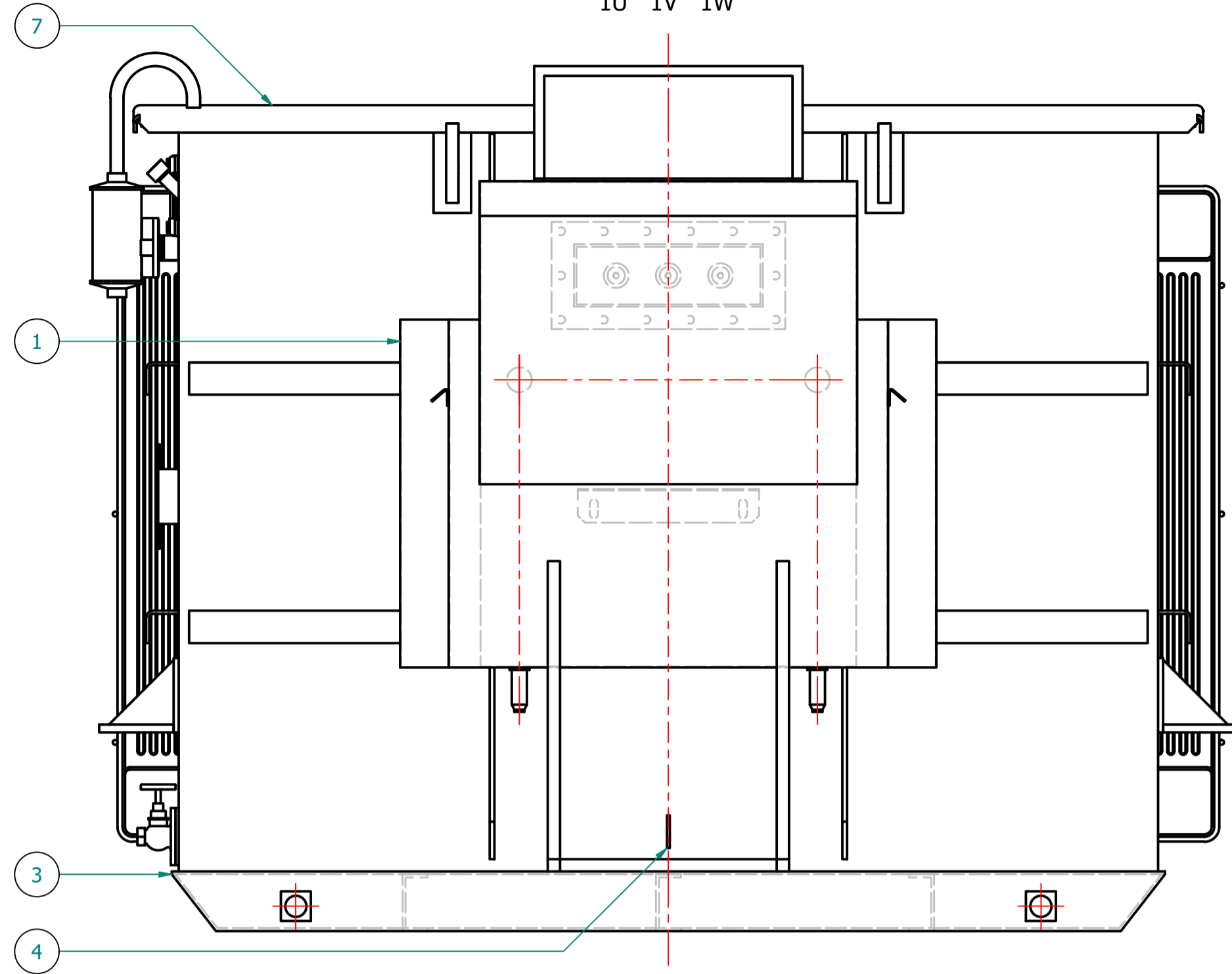
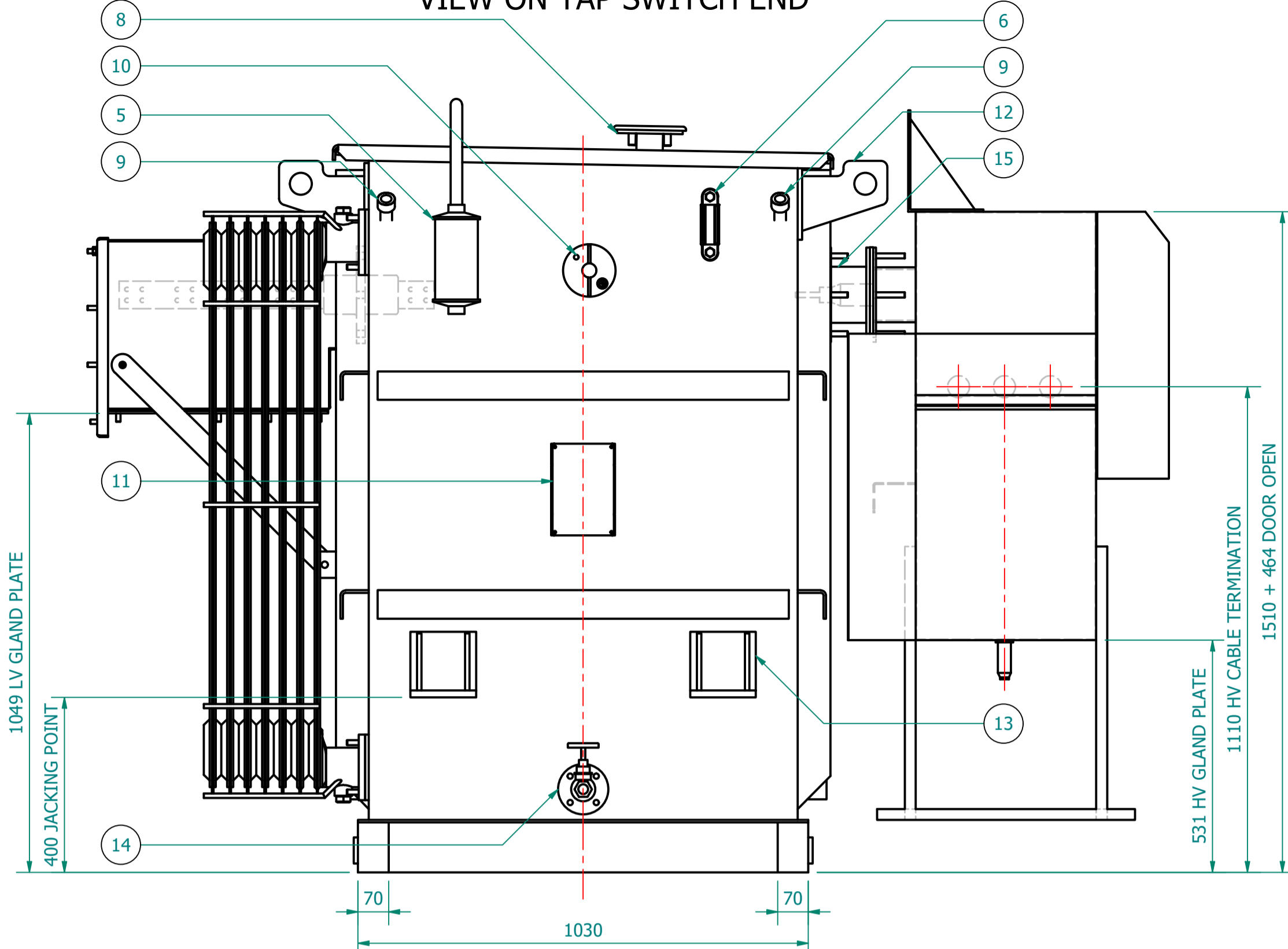


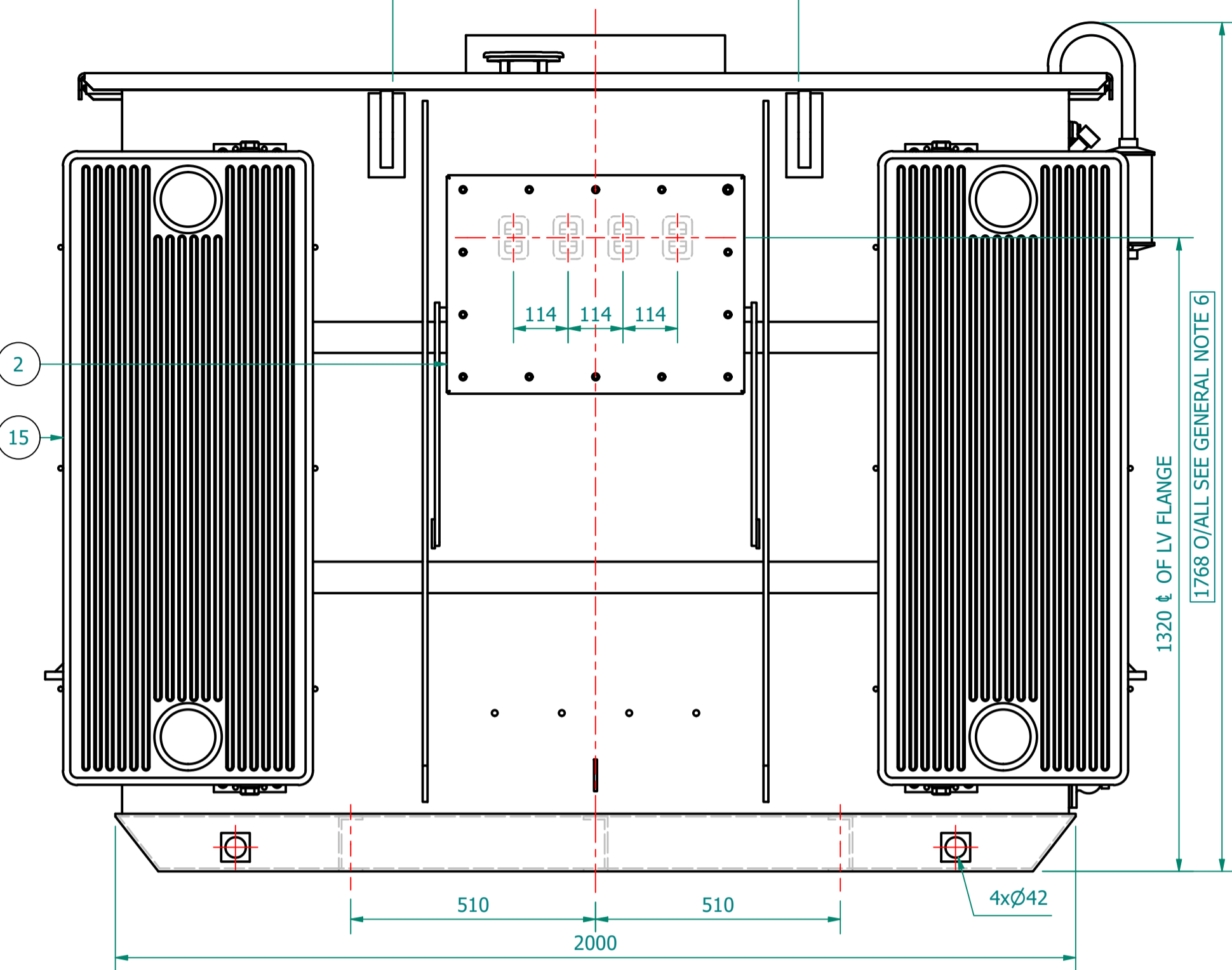
VIEW ON HV SIDE
PHASE ROTATION
1U 1V 1W



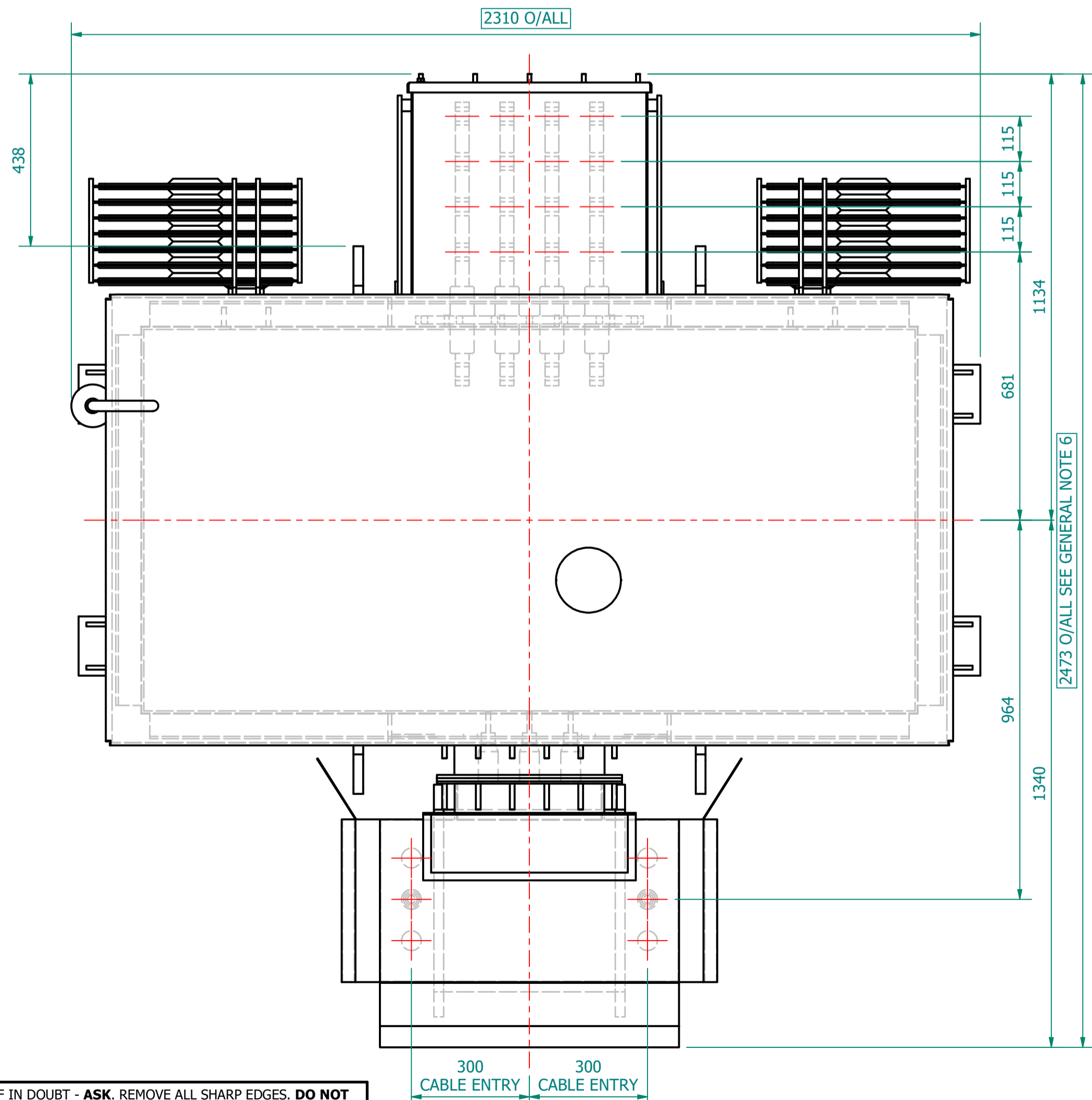
VIEW ON TAP SWITCH END



VIEW ON LV SIDE
PHASE ROTATION
2W 2V 2U 2N
845 TYP. TO 2 PLACES

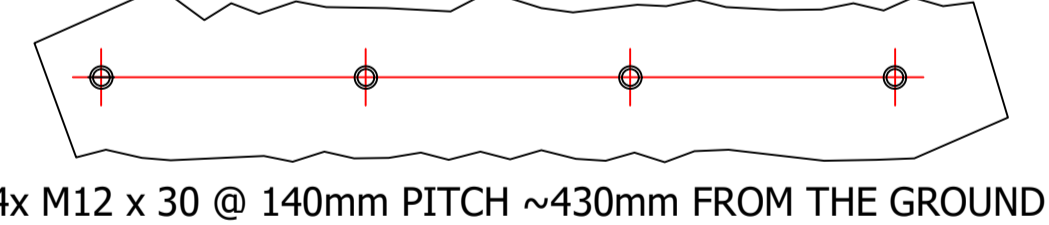


PLAN VIEW



TRANSFORMER WEIGHT & VOLUME		
CORE AND WINDING	kg	4700
TANK AND FITTING	kg	1350
COOLING LIQUID VOLUME	L	1658
COOLING LIQUID WEIGHT	kg	1350
TOTAL TX WEIGHT	kg	7400
ADDITIONS TO THE TRANSFORMER WEIGHT		
RN2d RMU	Kg	385

VIEW OF LV SIDE - CABLE CLEAT STUDS
CABLES MUST BE SUPPORTED IN ACCORDANCE WITH -
CURRENT IET Wiring Regulations BS7671 & IEC 61914

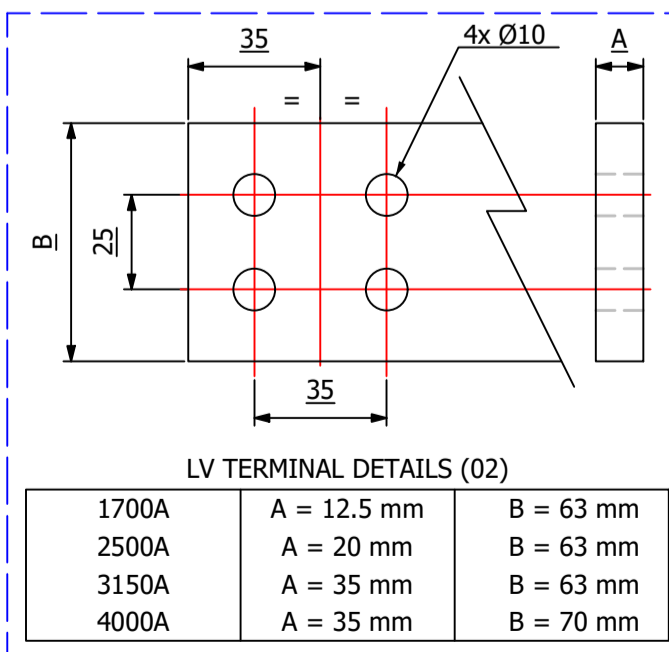


2000kVA ELECTRICAL RATINGS					
No Load Voltage Ratio at Normal Tap	HV Tappings	Vector Group	Frequency	Full-Load Current at Normal Tap	
				HV Side	LV Side
11000 / 415V	+7.5 to -5.0% IN 2.5% INCREMENTS	Dyn11	50Hz	104.972A	2782.41A
Design Impedance at Normal Tap	No Load Losses at rated Voltage & Frequency	Full Load Losses at rated Current & at 75°C Temp.	Temp. Rise above Ambient 40°C		
			in Oil by Therm.		in Wdg. by Res.
6.00%	815W	11475W	60°C	65°C	

- GENERAL NOTES**
- ALL DIMENSIONS ARE IN 'mm'.
 - ALL DIMENSIONS/WEIGHTS ARE SUBJECT TO ± 10% TOLERANCE.
 - ELECTRONIC SCALE - 1:1 (ONLY WRITTEN DIMENSIONS TO BE FOLLOWED).
 - TOLERANCE ON IMPEDANCE PER IEC:60076.
 - PAINT SHADE.: 632 As PER BS:381C (SEMI GLOSS) TO ISO12944 - MIN C4H SPEC.
 - O/ALL DIMS ARE SUBJECT TO EQUIPMENT DOOR OPENING DISTANCES.

ESSENTIAL LABELS

- ITEM 10 TAP CHANGER WARNING LABEL
- ITEM 6 C.O.L. 15°C COLD COOLANT LEVEL
- ITEM 2 LV WARNING LABEL
- ITEM 1 HV WARNING LABEL



IF IN DOUBT - ASK. REMOVE ALL SHARP EDGES. DO NOT SCALE. DRAWING NOT TO SCALE

	REVISION DESCRIPTION ORIGINAL	REV 00	PROJECT CUSTOMER	DRAWING TITLE GENERAL ARRANGEMENT DRAWING FOR 2000kVA WILSON e4 AMORPHOUS ULTIMATE LOW LOSS 11000/415V, 50Hz, Dyn11, ONAN AL WOUND DISTRIBUTION TRANSFORMER RN2d RMU	DRAWN BY: J. PHILBRICK	
	REV. BY: J. PHILBRICK VERIFIED: APPROVED:	DATE 28-MAY-2024	P.O. NUMBER W.O. NUMBER	DATE: 28/05/2024	web: www.wilsonpowersolutions.co.uk email: info@wilsonpowersolutions.co.uk	
BASED ON:	WPS-E4-2000-AL-A002			SHEET 1 OF 1		