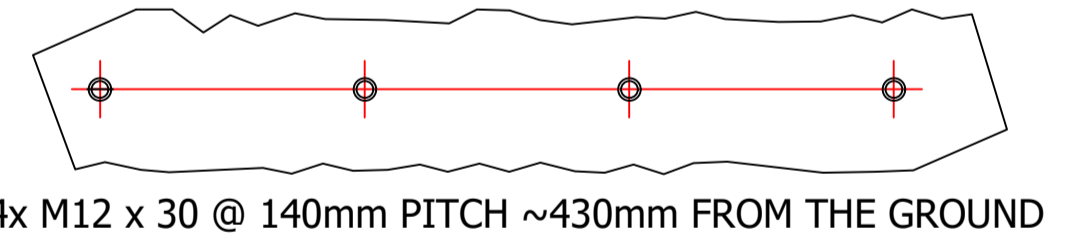


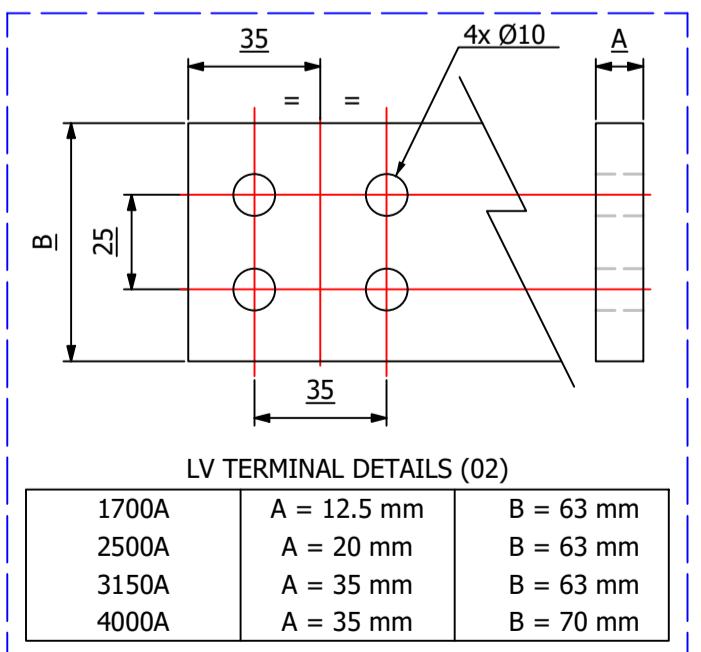
TRANSFORMER WEIGHT & VOLUME		
CORE AND WINDING	kg	5400
TANK AND FITTING	kg	1665
COOLING LIQUID VOLUME	L	2380
COOLING LIQUID WEIGHT	kg	1935
TOTAL TX WEIGHT	kg	9000
ADDITIONS TO THE TRANSFORMER WEIGHT		
RN2d	Kg	385

VIEW OF LV SIDE - CABLE CLEAT STUDS
CABLES MUST BE SUPPORTED IN ACCORDANCE WITH -
CURRENT IET Wiring Regulations BS7671 & IEC 61914



ESSENTIAL LABELS

- ITEM 8 TAP CHANGER WARNING LABEL
COLD COOLANT LEVEL
LV WARNING LABEL
HV WARNING LABEL



2500kVA ELECTRICAL RATINGS					
No Load Voltage Ratio at Normal Tap	HV Tappings	Vector Group	Frequency	Full-Load Current at Normal Tap	
				HV Side	LV Side
11000 / 415V	+7.5 to -5.0% IN 2.5% INCREMENTS	Dyn11	50Hz	131.22A	3478.01A
Design Impedance at Normal Tap	No Load Losses at rated Voltage & Frequency	Full Load Losses at rated Current & at 75°C Temp.	Temp. Rise above Ambient 40°C		
			in Oil by Therm.		in Wdg. by Res.
6.0%	1000W	15000W	60°C	65°C	

- GENERAL NOTES
- ALL DIMENSIONS ARE IN 'mm'.
 - ALL DIMENSIONS/WEIGHTS ARE SUBJECT TO ± 10% TOLERANCE.
 - ELECTRONIC SCALE - 1:1 (ONLY WRITTEN DIMENSIONS TO BE FOLLOWED).
 - TOLERANCE ON IMPEDANCE PER IEC:60076.
 - PAINT SHADE.: 632 As PER BS:381C (SEMI GLOSS) TO ISO12944 - MIN C4H SPEC.
 - O/ALL DIMS ARE SUBJECT EQUIPMENT DOOR OPENING DISTANCES.

ITEM	QTY	DESCRIPTION
18	1	FILTER VALVE (25NB) with MALE PLUG
17	1	SHUT OFF VALVE FOR CONSERVATOR
16	1	BUCHHOLZ RELAY EE2 (WITH ALARM & TRIP CONTACT)
15	1	WTI CT BUSHING TERMINALS ENCLOSED IN BOX
14	1	DETACHABLE OIL CONSERVATOR W/ PRISMATIC OIL LEVEL GAUGE, OIL FILLING POINT W/ FLANGED COVER & 2 LIFTING LUGS
13	4	DETACHABLE RADIATORS with AIR-RELEASE & DRAIN PLUG (520W x 1200C x 5S x 40P)
12	1	DRAIN VALVE (25NB) with MALE PLUG
11	4	JACKING PADS
10	1	OFF-CIRCUIT TAP SWITCH (6-Position & Padlockable)
9	4	TRANSFORMER LIFTING LUGS
8	1	RATING & DIAGRAM PLATE (SS)
7	2	THERMOMETER POCKET (3/4" BSP MALE THREAD)
6	1	TOP COVER with LIFTING LUGS (x2)
5	1	SILICA GEL BREATHER TYPE R1
4	2	EARTHING TERMINAL (FLAT TYPE suitable for M12 Bolt)
3	1	TRANSFORMER BASE (SKID TYPE) c/w HAULAGE HOLES & BRACING
2	1	LV CABLE BOX - 1.1kV, 4-POLE, AIR INSULATION, (FACING-'F', BS:2562) SUITABLE FOR 4 x 1c CABLES PER PHASE & N - MAX. 630mm.sq
1	1	HV RMU - 11kV, 200A, GCB, 630A BUS (Schneider RN2d-Tx/21) x PROTECTION, (FACING-'E' BS:2562)

IF IN DOUBT - ASK. REMOVE ALL SHARP EDGES. DO NOT SCALE. DRAWING NOT TO SCALE

		REVISION DESCRIPTION ORIGINAL	REV 00	PROJECT CUSTOMER	DRAWING TITLE GENERAL ARRANGEMENT DRAWING FOR 2500kVA WILSON e4 AMORPHOUS ULTIMATE LOW LOSS 11000/415V, 50Hz, Dyn11, ONAN AL WOUND DISTRIBUTION TRANSFORMER RN2d	DRAWN BY: J. NOVO DATE: 11/09/2024		Westland Square, Leeds West Yorkshire LS11 5SS, United Kingdom Tel: +44 (0) 113 271 7588 Fax: +44 (0) 113 271 5124 web: www.wilsonpowersolutions.co.uk email: info@wilsonpowersolutions.co.uk
		REV. BY: J. NOVO VERIFIED: APPROVED:	DATE 11-SEP-2024	P.O. NUMBER W.O. NUMBER				