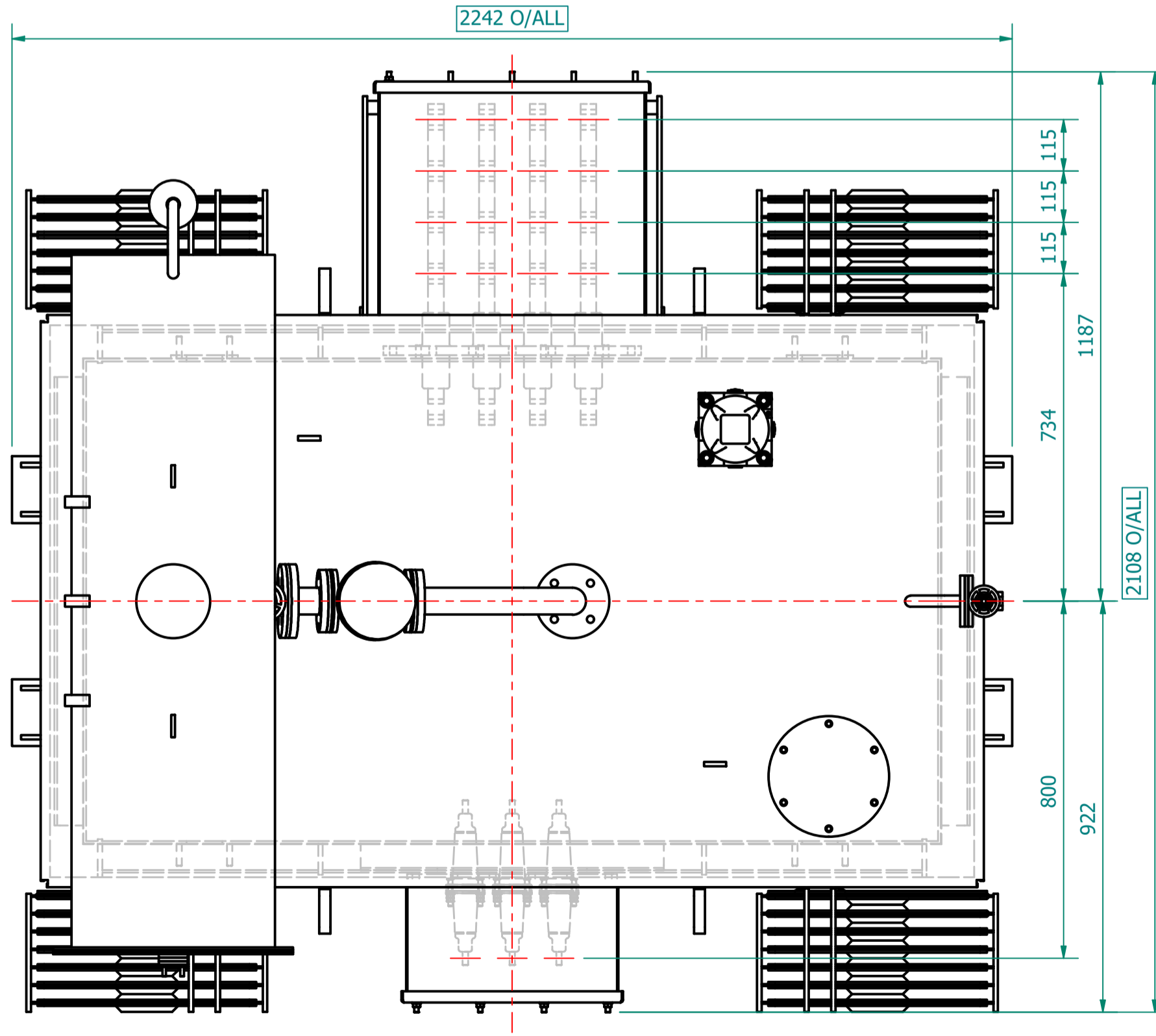
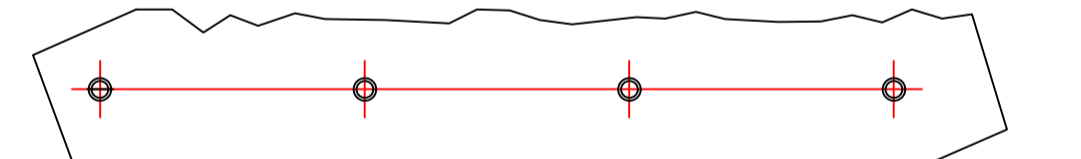


PLAN VIEW



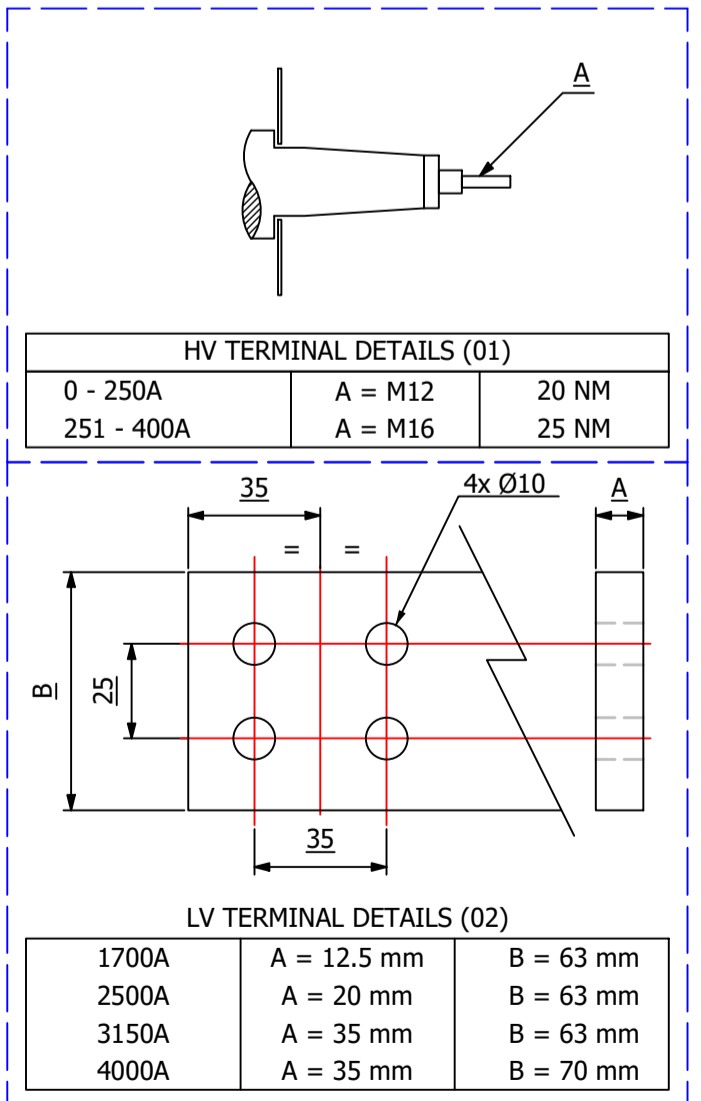
TRANSFORMER WEIGHT & VOLUME		
CORE AND WINDING	kg	5400
TANK AND FITTING	kg	1640
COOLING LIQUID VOLUME	L	2405
COOLING LIQUID WEIGHT	kg	1960
TOTAL TX WEIGHT	kg	9000

VIEW OF LV SIDE - CABLE CLEAT STUDS
CABLES MUST BE SUPPORTED IN ACCORDANCE WITH -
CURRENT IET Wiring Regulations BS7671 & IEC 61914



ESSENTIAL LABELS

- ITEM 8 TAP CHANGER WARNING LABEL
- C.O.L. 15°C COLD COOLANT LEVEL
- ITEM 2 LV WARNING LABEL
- ITEM 1 HV WARNING LABEL



2500kVA ELECTRICAL RATINGS					
No Load Voltage Ratio at Normal Tap	HV Tappings	Vector Group	Frequency	Full-Load Current at Normal Tap	
11000 / 415V	+7.5 to -5.0% IN 2.5% INCREMENTS	Dyn11	50Hz	HV Side	LV Side
Design Impedance at Normal Tap	No Load Losses at rated Voltage & Frequency	Full Load Losses at rated Current & at 75°C Temp.	Temp. Rise above Ambient 40°C		
6.0%	1000W	15000W	60°C	in Oil by Therm. in Wdg. by Res.	
GENERAL NOTES					
1 ALL DIMENSIONS ARE IN 'mm'.					
2 ALL DIMENSIONS/WEIGHTS ARE SUBJECT TO ± 10% TOLERANCE.					
3 ELECTRONIC SCALE - 1:1 (ONLY WRITTEN DIMENSIONS TO BE FOLLOWED).					
4 TOLERANCE ON IMPEDANCE PER IEC:60076.					
5 PAINT SHADE.: 632 As PER BS:381C (SEMI GLOSS) TO ISO12944 - MIN C4H SPEC.					
6					
7					
8					
9					

ITEM	QTY	DESCRIPTION
18	1	FILTER VALVE (25NB) with MALE PLUG
17	1	SHUT OFF VALVE FOR CONSERVATOR
16	1	BUCHHOLZ RELAY EE2 (WITH ALARM & TRIP CONTACT)
15	1	WTI CT BUSHING TERMINALS ENCLOSED IN BOX
14	1	DETACHABLE OIL CONSERVATOR W/ PRISMATIC OIL LEVEL GAUGE, OIL FILLING POINT W/ FLANGED COVER & 2 LIFTING LUGS
13	4	DETACHABLE RADIATORS with AIR-RELEASE & DRAIN PLUG (520W x 1200C x 75 x 40P)
12	1	DRAIN VALVE (25NB) with MALE PLUG
11	4	JACKING PADS
10	4	TRANSFORMER LIFTING LUGS
9	1	RATING & DIAGRAM PLATE (SS)
8	1	OFF-CIRCUIT TAP SWITCH (6-Position & Padlockable)
7	2	THERMOMETER POCKET (3/4" BSP MALE THREAD)
6	1	TOP COVER with LIFTING LUGS (x2)
5	1	SILICA GEL BREATHER TYPE R1
4	2	EARTHING TERMINAL (FLAT TYPE suitable for M12 Bolt)
19	1	TRANSFORMER BASE (SKID TYPE) c/w HAULAGE HOLES & BRACING
2	1	LV CABLE BOX - 1.1kV, 4-POLE, AIR INSULATION, (FACING-'F', BS:2562) SUITABLE FOR 4 x 1c CABLES PER PHASE & N - MAX. 630mm.sq
1	1	HV CABLE BOX - 12kV, 3-POLE, HEAT-SHRINK INSULATION, (FACING-'F' BS:2562) SUITABLE FOR 1 x 3c CABLE - MAX. 185mm.sq

IF IN DOUBT - ASK. REMOVE ALL SHARP EDGES. DO NOT SCALE. DRAWING NOT TO SCALE

	REVISION DESCRIPTION ORIGINAL	REV 00	PROJECT CUSTOMER	DRAWING TITLE GENERAL ARRANGEMENT DRAWING FOR 2500kVA WILSON e4 AMORPHOUS ULTIMATE LOW LOSS 11000/415V, 50Hz, Dyn11, ONAN AL WOUND DISTRIBUTION TRANSFORMER	DRAWN BY: J. NOVO	
	REV. BY: J. NOVO VERIFIED: APPROVED:	DATE 22-JUL-2024	P.O. NUMBER W.O. NUMBER	DATE: 22/07/2024	DRAWING NO.: WPS-E4-2500-AL-GA	